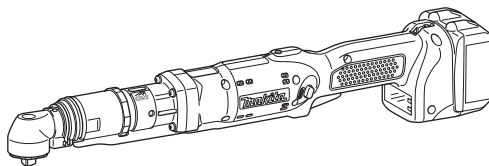


INSTRUCTION MANUAL
MANUEL D'INSTRUCTION
MANUAL DE INSTRUCCIONES



Cordless Angle Nut Runner Clé à Angle Sans Fil Atornillador Angular Inalámbrico

DFL201R
DFL301R
DFL402R



IMPORTANT: Read Before Using.

IMPORTANT : Lire avant usage.

IMPORTANTE: Lea antes de usar.

SPECIFICATIONS

| Model | | DFL201R | | DFL301R | | DFL402R | |
|----------------------------|------------|---|--------------------------------|---|--------------------------------|---|--------------------------------|
| Fastening torque | Hard joint | 10 - 20 N • m (88.5 - 177 in • lbs) | | 16 - 30 N • m (142 - 266 in • lbs) | | 25 - 40 N • m (221 - 354 in • lbs) | |
| | Soft joint | 10 - 20 N • m (88.5 - 177 in • lbs) | | 16 - 30 N • m (142 - 266 in • lbs) | | 25 - 40 N • m (221 - 354 in • lbs) | |
| Square drive | | 9.5 mm (3/8") | | 9.5 mm (3/8") | | 9.5 mm (3/8") | |
| No load speed (RPM) | | 360 /min | | 260 /min | | 200 /min | |
| Dimensions | | 429 mm x 72 mm x 98 mm (16-7/8" x 2-13/16" x 3-7/8") | | 477 mm x 72 mm x 98 mm (18-25/32"x 2-13/16"x 3-7/8") | | 477 mm x 72 mm x 98 mm (18-25/32"x 2-13/16"x 3-7/8") | |
| Rated voltage | | D.C. 14.4 V | | | | | |
| Standard battery cartridge | | BL1415NA | BL1430, BL1430B, BL1460A | BL1415NA | BL1430, BL1430B, BL1460A | BL1415NA | BL1430, BL1430B, BL1460A |
| Net weight | | 1.5 kg (3.3 lbs) | 1.7 kg (3.8 lbs) | 1.8 kg (3.9 lbs) | 2.0 kg (4.4 lbs) | 1.8 kg (3.9 lbs) | 2.0 kg (4.4 lbs) |

- Due to our continuing program of research and development, the specifications herein are subject to change without notice.
- Specifications and battery cartridge may differ from country to country.
- Weight, with battery cartridge, according to EPTA-Procedure 01/2003

General Power Tool Safety Warnings

⚠WARNING Read all safety warnings and all instructions. Failure to follow the warnings and instructions may result in electric shock, fire and/or serious injury.

Save all warnings and instructions for future reference.

The term "power tool" in the warnings refers to your mains-operated (corded) power tool or battery-operated (cordless) power tool.

Work area safety

1. **Keep work area clean and well lit.** Cluttered or dark areas invite accidents.
2. **Do not operate power tools in explosive atmospheres, such as in the presence of flammable liquids, gases or dust.** Power tools create sparks which may ignite the dust or fumes.
3. **Keep children and bystanders away while operating a power tool.** Distractions can cause you to lose control.

Electrical safety

4. **Power tool plugs must match the outlet. Never modify the plug in any way. Do not use any adapter plugs with earthed (grounded) power tools.** Unmodified plugs and matching outlets will reduce risk of electric shock.
5. **Avoid body contact with earthed or grounded surfaces such as pipes, radiators, ranges and refrigerators.** There is an increased risk of electric shock if your body is earthed or grounded.
6. **Do not expose power tools to rain or wet conditions.** Water entering a power tool will increase the risk of electric shock.
7. **Do not abuse the cord. Never use the cord for carrying, pulling or unplugging the power tool. Keep cord away from heat, oil, sharp edges or moving parts.** Damaged or entangled cords increase the risk of electric shock.

8. **When operating a power tool outdoors, use an extension cord suitable for outdoor use.** Use of a cord suitable for outdoor use reduces the risk of electric shock.
9. **If operating a power tool in a damp location is unavoidable, use a ground fault circuit interrupter (GFCI) protected supply.** Use of an GFCI reduces the risk of electric shock.

Personal safety

10. **Stay alert, watch what you are doing and use common sense when operating a power tool. Do not use a power tool while you are tired or under the influence of drugs, alcohol or medication.** A moment of inattention while operating power tools may result in serious personal injury.
11. **Use personal protective equipment. Always wear eye protection.** Protective equipment such as dust mask, non-skid safety shoes, hard hat, or hearing protection used for appropriate conditions will reduce personal injuries.
12. **Prevent unintentional starting. Ensure the switch is in the off-position before connecting to power source and/or battery pack, picking up or carrying the tool.** Carrying power tools with your finger on the switch or energising power tools that have the switch on invites accidents.
13. **Remove any adjusting key or wrench before turning the power tool on.** A wrench or a key left attached to a rotating part of the power tool may result in personal injury.
14. **Do not overreach. Keep proper footing and balance at all times.** This enables better control of the power tool in unexpected situations.
15. **Dress properly. Do not wear loose clothing or jewellery. Keep your hair, clothing, and gloves away from moving parts.** Loose clothes, jewellery or long hair can be caught in moving parts.
16. **If devices are provided for the connection of dust extraction and collection facilities, ensure these are connected and properly used.** Use of dust collection can reduce dust-related hazards.

Power tool use and care

17. **Do not force the power tool. Use the correct power tool for your application.** The correct power tool will do the job better and safer at the rate for which it was designed.
18. **Do not use the power tool if the switch does not turn it on and off.** Any power tool that cannot be controlled with the switch is dangerous and must be repaired.
19. **Disconnect the plug from the power source and/or the battery pack from the power tool before making any adjustments, changing accessories, or storing power tools.** Such preventive safety measures reduce the risk of starting the power tool accidentally.
20. **Store idle power tools out of the reach of children and do not allow persons unfamiliar with the power tool or these instructions to operate the power tool.** Power tools are dangerous in the hands of untrained users.
21. **Maintain power tools. Check for misalignment or binding of moving parts, breakage of parts and any other condition that may affect the power tool's operation. If damaged, have the power tool repaired before use.** Many accidents are caused by poorly maintained power tools.
22. **Keep cutting tools sharp and clean.** Properly maintained cutting tools with sharp cutting edges are less likely to bind and are easier to control.
23. **Use the power tool, accessories and tool bits etc. in accordance with these instructions, taking into account the working conditions and the work to be performed.** Use of the power tool for operations different from those intended could result in a hazardous situation.

Battery tool use and care

24. **Recharge only with the charger specified by the manufacturer.** A charger that is suitable for one type of battery pack may create a risk of fire when used with another battery pack.
25. **Use power tools only with specifically designated battery packs.** Use of any other battery packs may create a risk of injury and fire.
26. **When battery pack is not in use, keep it away from other metal objects, like paper clips, coins, keys, nails, screws or other small metal objects, that can make a connection from one terminal to another.** Shorting the battery terminals together may cause burns or a fire.
27. **Under abusive conditions, liquid may be ejected from the battery; avoid contact. If contact accidentally occurs, flush with water. If liquid contacts eyes, additionally seek medical help.** Liquid ejected from the battery may cause irritation or burns.

Service

28. **Have your power tool serviced by a qualified repair person using only identical replacement parts.** This will ensure that the safety of the power tool is maintained.
29. **Follow instruction for lubricating and changing accessories.**
30. **Keep handles dry, clean and free from oil and grease.**

CORDLESS SCREWDRIVER SAFETY WARNINGS

1. **Hold power tool by insulated gripping surfaces, when performing an operation where the fastener may contact hidden wiring.** Fasteners contacting a "live" wire may make exposed metal parts of the power tool "live" and could give the operator an electric shock.
2. **Always be sure you have a firm footing. Be sure no one is below when using the tool in high locations.**
3. **Hold the tool firmly.**
4. **Keep hands away from rotating parts.**
5. **Do not touch the bit or the workpiece immediately after operation; they may be extremely hot and could burn your skin.**

SAVE THESE INSTRUCTIONS.

⚠WARNING: DO NOT let comfort or familiarity with product (gained from repeated use) replace strict adherence to safety rules for the subject product. **MISUSE** or failure to follow the safety rules stated in this instruction manual may cause serious personal injury.

Symbols

The followings show the symbols used for tool.

| | |
|--------------------|---|
| v | volts |
| — --- | direct current |
| n ₀ | no load speed |
| ... /min r /min | revolutions or reciprocation per minute |

Important safety instructions for battery cartridge

1. **Before using battery cartridge, read all instructions and cautionary markings on (1) battery charger, (2) battery, and (3) product using battery.**
2. **Do not disassemble battery cartridge.**
3. **If operating time has become excessively shorter, stop operating immediately. It may result in a risk of overheating, possible burns and even an explosion.**
4. **If electrolyte gets into your eyes, rinse them out with clear water and seek medical attention right away. It may result in loss of your eyesight.**
5. **Do not short the battery cartridge:**
 - (1) **Do not touch the terminals with any conductive material.**
 - (2) **Avoid storing battery cartridge in a container with other metal objects such as nails, coins, etc.**
 - (3) **Do not expose battery cartridge to water or rain.**

A battery short can cause a large current flow, overheating, possible burns and even a breakdown.

6. Do not store the tool and battery cartridge in locations where the temperature may reach or exceed 50 °C (122 °F).
7. Do not incinerate the battery cartridge even if it is severely damaged or is completely worn out. The battery cartridge can explode in a fire.
8. Be careful not to drop or strike battery.
9. Do not use a damaged battery.
10. The contained lithium-ion batteries are subject to the Dangerous Goods Legislation requirements. For commercial transports e.g. by third parties, forwarding agents, special requirement on packaging and labeling must be observed. For preparation of the item being shipped, consulting an expert for hazardous material is required. Please also observe possibly more detailed national regulations. Tape or mask off open contacts and pack up the battery in such a manner that it cannot move around in the packaging.
11. Follow your local regulations relating to disposal of battery.

SAVE THESE INSTRUCTIONS.

⚠ CAUTION: Only use genuine Makita batteries. Use of non-genuine Makita batteries, or batteries that have been altered, may result in the battery bursting causing fires, personal injury and damage. It will also void the Makita warranty for the Makita tool and charger.

Tips for maintaining maximum battery life

1. Charge the battery cartridge before completely discharged. Always stop tool operation and charge the battery cartridge when you notice less tool power.
2. Never recharge a fully charged battery cartridge. Overcharging shortens the battery service life.
3. Charge the battery cartridge with room temperature at 10 °C - 40 °C (50 °F - 104 °F). Let a hot battery cartridge cool down before charging it.
4. Charge the battery cartridge if you do not use it for a long period (more than six months).

FCC Notices

(For USA only)

This device complies with Part 15 of the FCC Rules. Operation is subject to the following two conditions:

- (1) This device may not cause harmful interference, and
- (2) This device must accept any interference received, including interference that may cause undesired operation.

CAUTION: Change or modification not expressly approved by the party responsible for compliance could void the user's authority to operate this equipment.

CAUTION: In order to comply with FCC radio-frequency radiation exposure guidelines for an uncontrolled exposure, this device and its antenna must not be co-located or operating in conjunction with any other antenna or transmitter.

NOTE: This equipment has been tested and found to comply with the limits for a Class A digital device, pursuant to Part 15 of the FCC Rules.

These limits are designed to provide reasonable protection against harmful interference when the equipment is operated in a commercial environment. This equipment generates, uses and can radiate radio frequency energy and, if not installed and used in accordance with the instruction manual, may cause harmful interference to radio communications. Operation of this equipment in a residential area is likely to cause harmful interference in which case the user will be required to correct the interference at his or her own expense.

(For Canada only)

IC Notices

CAUTION: Operation is subject to the following two conditions:

- (1) This device may not cause interference, and
- (2) This device must accept any interference, including interference that may cause undesired operation of the device.

CAUTION: The installer of this radio equipment must ensure that the antenna is located or pointed such that it does not emit RF field in excess of Health Canada limits for the general population; consult Safety Code 6, obtainable from Health Canada's website www.hc-sc.gc.ca/rpb

FUNCTIONAL DESCRIPTION

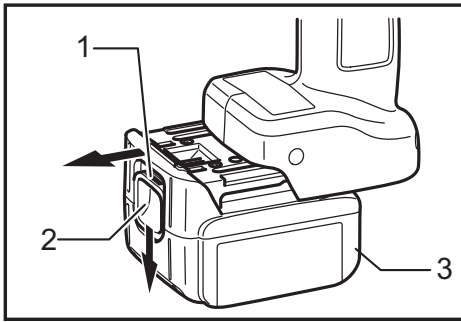
⚠ CAUTION:

- Always be sure that the tool is switched off and the battery cartridge is removed before adjusting or checking function on the tool.

Installing or removing battery cartridge

⚠ CAUTION: Always switch off the tool before installing or removing of the battery cartridge.

⚠ CAUTION: Hold the tool and the battery cartridge firmly when installing or removing battery cartridge. Failure to hold the tool and the battery cartridge firmly may cause them to slip off your hands and result in damage to the tool and battery cartridge and a personal injury.



► 1. Red indicator 2. Button 3. Battery cartridge

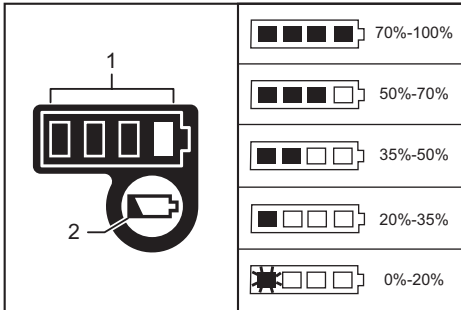
To remove the battery cartridge, slide it from the tool while sliding the button on the front of the cartridge.

To install the battery cartridge, align the tongue on the battery cartridge with the groove in the housing and slip it into place. Insert it all the way until it locks in place with a little click. If you can see the red indicator on the upper side of the button, it is not locked completely.

⚠ CAUTION: Always install the battery cartridge fully until the red indicator cannot be seen. If not, it may accidentally fall out of the tool, causing injury to you or someone around you.

⚠ CAUTION: Do not install the battery cartridge forcibly. If the cartridge does not slide in easily, it is not being inserted correctly.

Checking the remaining battery capacity (BL1460A)



► 1. Indicator lamps 2. Check button

NOTE: Depending on the conditions of use and the ambient temperature, the indication may differ slightly from the actual capacity.

When charging

When the charging begins, the first (far left) indicating lamp begins to flicker. Then, as charging proceeds, the other lamps light, one after the other, to indicate the battery capacity.

NOTE: If the indicator lamp does not turn on or flicker when charging, the battery may be faulty. In this case, ask your local service center.

When using

When the tool is switched on, the lamps will light to indicate the remaining battery capacity. When the tool is switched off, the light goes out after approx. 5 seconds. When pushing the check button with the tool switched off, the indicator lamps turn on for approx. 5 seconds to show battery capacity.

If the orange lamp flickers, the tool stops because of little remaining battery capacity (Auto-stop mechanism). Charge the battery cartridge or use a charged battery cartridge at this time.

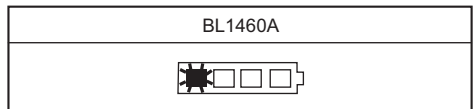
When the tool is used with the battery that has not been used for a long time and is switched on, no lamps may light up. The tool stops because of little remaining battery capacity at this time. Charge the battery properly.

Battery protection system (BL1460A)

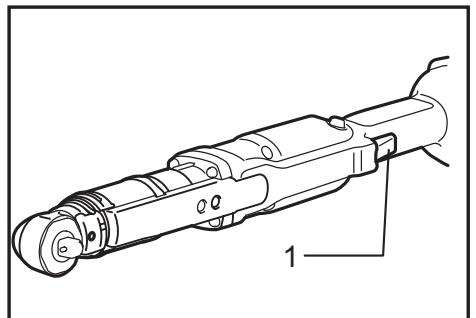
The tool is equipped with a battery protection system. This system automatically cuts off power to the motor to extend battery life.

The tool will automatically stop during operation if the tool and/or battery are placed under the following conditions:

- **Overloaded:**
The tool is operated in a manner that causes it to draw an abnormally high current. In this situation, release the switch trigger on the tool and stop the application that caused the tool to become overloaded. Then pull the switch trigger again to restart. If the tool does not start, the battery is overheated. In this situation, let the battery cool before pulling the switch trigger again.
- **Low battery voltage:**
When the battery capacity is not enough, the tool stops automatically and the battery indicator shows following state. In this case, remove the battery from the tool and charge the battery.



Switch action



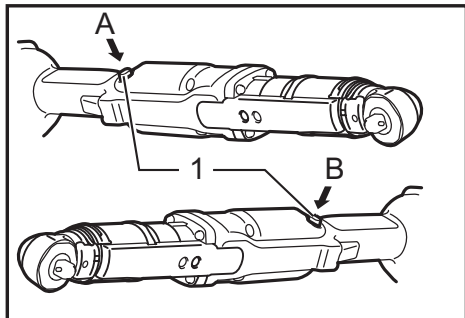
► 1. Switch trigger

⚠ CAUTION:

- Before inserting the battery cartridge into the tool, always check to see that the switch trigger actuates properly and returns to the "OFF" position when released.

To start the tool, simply pull the switch trigger. Release the switch trigger to stop.

Reversing switch action



► 1. Reversing switch lever

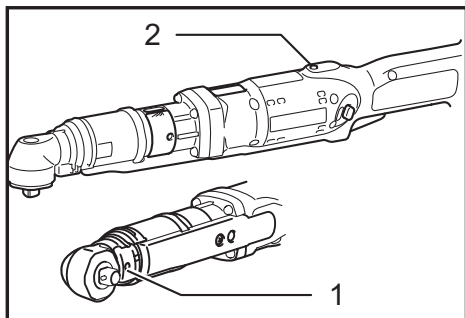
⚠ CAUTION:

- Always check the direction of rotation before operation.
- Use the reversing switch only after the tool comes to a complete stop. Changing the direction of rotation before the tool stops may damage the tool.
- When not operating the tool, always set the reversing switch lever to the neutral position.

This tool has a reversing switch to change the direction of rotation. Depress the reversing switch lever from the A side for clockwise rotation or from the B side for counterclockwise rotation.

When the reversing switch lever is in the neutral position, the switch trigger cannot be pulled.

Lighting up the lamps



► 1. Lamp 2. LED#A

⚠ CAUTION:

- Do not look in the light or see the source of light directly.

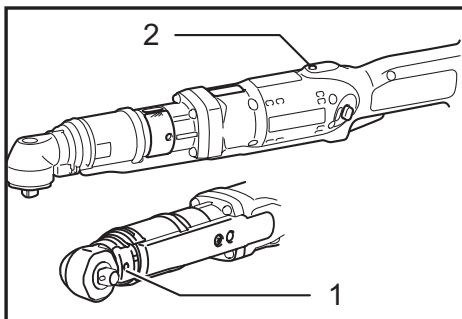
Pull the switch trigger to light up the lamp. The lamp keeps on lighting while the switch trigger is being pulled. The light automatically goes out 10 seconds after the switch trigger is released.

NOTE:

- Use a dry cloth to wipe the dirt off the lens of lamp. Be careful not to scratch the lens of lamp, or it may lower the illumination.

LED indicator / Beeper

For LED#A



► 1. Lamp 2. LED#A

LED indicator / Beeper on the tool shows the following functions.

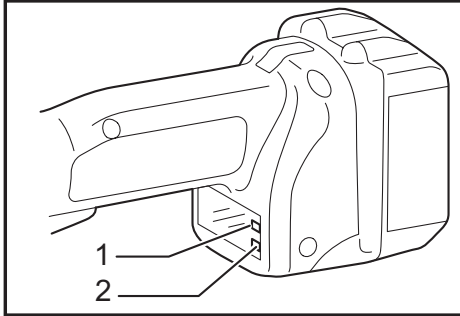
| Status of the LED indicator/beeper | | Function | Status | Action to be taken |
|---|------------------------------|---|---|--|
| LED indicator | Beeper | | | |
| Lights up in Green → Red → Blue → White in order | A series of very short beeps | Check LED#A, light and beeper (when pulling switch trigger for the first time after installing a battery cartridge into the tool) | Make sure that green, red, blue, white LED lights up and beeper beeps properly | _____ |
| Blinks in purple slowly. | A series of long beeps | Warning for battery cartridge capacity | This indicates the appropriate time to replace the battery cartridge when the battery power becomes low. | Replace the battery with fully charged one. |
| Lights up in purple | A long beep | Checking the remaining battery capacity, Autostop | This function works when the battery power is almost used up. At this time, tool stops immediately. | Replace the battery with fully charged one. |
| Lights up in red and green alternatively | A series of short beeps | Anti-reset of controller | This function works when an abnormal drop of the battery voltage occurs for some reason, and the tool stops. | Replace the battery with fully charged one. |
| | | Failure of motor | This function works when motor fails. | Take it to a Makita Authorized Service centers. |
| Blinks in red quickly. | A series of short beeps | Overheat | This function works when the temperature of the controller or motor goes up very highly, and the tool stops. | Remove the battery cartridge immediately and cool the tool down. |
| Green (blue when batch is completed in tool stand-alone mode) | | Auto-stop fastening | This function works when the tool has reached within the fastening torque range preset on PC and normal tightening has been completed. (Note) | _____ |
| Lights up in red. | A long beep | Result of torque judgment: NOK (High) | This function works when the tool has reached above the fastening torque range preset on PC. (Note) | _____ |

| Status of the LED indicator/beeper | | Function | Status | Action to be taken |
|---|-------------------------|---|---|--|
| LED indicator | Beeper | | | |
| Lights up in yellow. | A long beep | Result of torque judgment: NOK (Low) | This function works when the tool has reached below the fastening torque angle preset on PC. (Note) | _____ |
| Blinks in red and yellow alternatively. | A long beep | Warning against insufficient fastening | Fastening is incomplete when switch trigger of tool is released before clutch activation. | _____ |
| | | Double-hitting detection | This function works when a screw is refastened after fastening. | _____ |
| | | Angle judge NOK | This function works when a screw is not fastened within the angle range preset on PC (Note). | _____ |
| | | Rundown NOK | This function works when a fastening is finished before it reaches the preset angle range. (Note) | _____ |
| | | Torque impossible monitoring | This function works when torque monitoring is cannot be carried out. | _____ |
| Blinks in red and blue alternatively. | A series of short beeps | Disconnection (when using receiver RCV02) | Radio communication not yet established | Finish necessary connection or remove a battery cartridge to escape. |
| | | Radio communication failure | This function works when there is radio communication failure. | Take it to a Makita Authorized Service centers. |

Note: These values can be changed on PC. Refer to SRCV02 USER MANUAL for details.

For LED#B

LED indicator / Beeper on the tool shows the following functions.



► 1. LED#B1 2. LED#B2

| Description | Viewed color | View and status | | | |
|-------------|---|-----------------|---------------|--|---|
| LED#B ① | Green | 1 | lights up | when the tool is connected to a receiver. | |
| | | 2 | blinks | when the tool is on the step of being connected to a receiver. (Note 1) | |
| | | 3 | is turned off | one of the status below | |
| | | | | 3-1 | when the battery cartridge is removed from the tool. |
| | | | | 3-2 | when the tool is left idle for more than 15 minutes with a installed battery cartridge. |
| 3-3 | when the tool is not within the transmission distance. (Note 2) | | | | |
| LED#B ② | Red | 1 | lights up | when the tool's stored number of data reaches its storable number of data. | |
| | | 2 | blinks | when the tool's stored number of data is equal to or smaller than its storable number of data. | |
| | | 3 | is turned off | when the tool has no stored data to transmit to a receiver. | |

Note 1: Refer to a instruction manual of receiver (accessory) RCV02 when connecting it.

Note 2: Communication distance: 10 m or less (variable up to 10 m depending on the operation environment)

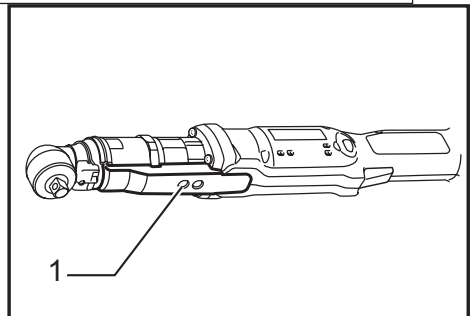
⚠ CAUTION:

- Make sure that LED#B2 does not light up before removing a battery cartridge from the tool. If a battery cartridge is removed while LED#B2 lights up or blinks, tools stored data will be deleted.

Adjusting the fastening torque

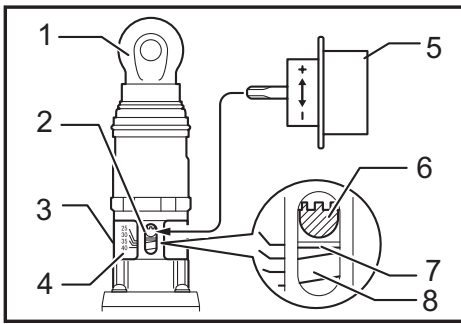
When you wish to drive machine screws, wood screws, hex bolts, etc. with the predetermined torque, adjusting the fastening torque as follows.

- First remove the battery cartridge from the tool.
- Loosen and remove the screw that secures ring. (Loosen the two screws that secure ring only for DFL201R)



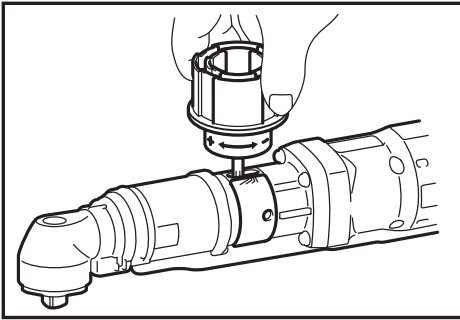
► 1. Screw

- Rotate the ring in the front of the tool by hand so that a hole can be seen below the ring.
- Place the battery cartridge in place and pull the switch trigger. Release it so that the adjusting ring rotates and becomes visible in the hole. And then remove the battery cartridge.



- 1. Angle head 2. Hole for adjusting grip 3. Ring
4. Scale 5. Adjusting grip 6. Hole for adjusting grip
7. Yellow line 8. Compression spring

5. Use an optional adjusting grip to adjust the fastening torque. Insert the pin of the adjusting grip into the hole in the front of the tool. And then, turn the adjusting grip clockwise to set a greater fastening torque, and counterclockwise to set a smaller fastening torque.



6. Align the edge of the adjusting ring with your desired number on the fastening torque scale.
7. Insert the battery cartridge and be sure that a fastening torque has been set up by using a fastening torque tester.
8. Rotate the ring so that the hole for adjusting grip is covered, hold and then secure the ring with screw.

NOTE:

- Numbers on the fastening torque scale is a guideline to set up your desired fastening torque.

ASSEMBLY

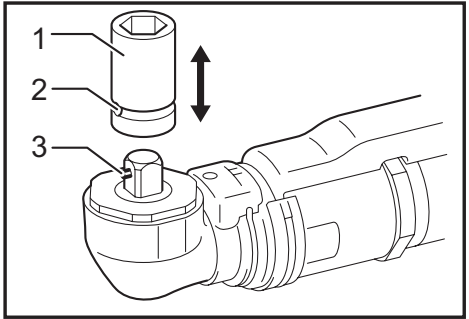
CAUTION:

- Always be sure that the tool is switched off and the battery cartridge is removed before carrying out any work on the tool.

Selecting correct socket

There are different types of sockets for some models depending on applications. Choose and install a correct socket for your application.

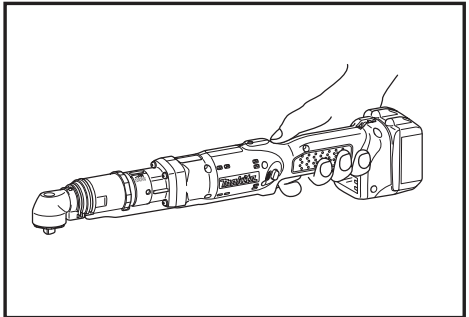
Installing or removing socket



- 1. Socket 2. Hole 3. Pin

To install the socket, push it onto the square drive of the tool with one hand by depressing a pin on the square drive with another hand until it locks into place. To remove the socket, simply pull it off depressing the pin on the square drive.

OPERATION



Hold the tool firmly and place the socket over the bolt or nut. Then switch the tool on. When the clutch cuts in, the motor will stop automatically. Then release the switch trigger.

NOTE:

- Hold the tool with its square drive pointed straight at the bolt or nut, or the bolt or nut will be damaged.

Limits of fastening capacity

Use the tool within the range of the revolution angle up to 360°. If you use the tool beyond the upper limit of this range, the clutch does not work. And the tool cannot deliver enough fastening torque (LEDA #A blinks in purple slowly or lights up in purple).

NOTE:

- The revolution angle means the angle which a screw/bolt revolves when the tool attains to 100% from 50% of desired torque.
- Use of a low temperature conditioned battery cartridge may sometimes give warning for battery cartridge capacity by warning lamp and beeper which makes the tool stop immediately. In this case, the fastening capacity may be inferior to the specification on this manual even if a charged battery cartridge is used.

MAINTENANCE

⚠ CAUTION:

- Always be sure that the tool is switched off and the battery cartridge is removed before attempting to perform inspection or maintenance.
- Never use gasoline, benzene, thinner, alcohol or the like. Discoloration, deformation or cracks may result.

To maintain product SAFETY and RELIABILITY, repairs, any other maintenance or adjustment should be performed by Makita Authorized or Factory Service Centers, always using Makita replacement parts.

OPTIONAL ACCESSORIES

⚠ CAUTION:

- These accessories or attachments are recommended for use with your Makita tool specified in this manual. The use of any other accessories or attachments might present a risk of injury to persons. Only use accessory or attachment for its stated purpose.

If you need any assistance for more details regarding these accessories, ask your local Makita Service Center.

- Protector (Yellow,Blue,Red,Clear)
- Makita genuine battery and charger
- Adjusting grip
- Spindle complete 12.7
- Receiver RCV02
- Software Installing disc (CD-ROM)
- USB-serial adapter
- RS-232C cable

NOTE:

- Some items in the list may be included in the tool package as standard accessories. They may differ from country to country.

MAKITA LIMITED ONE YEAR WARRANTY

Warranty Policy

Every Makita tool is thoroughly inspected and tested before leaving the factory. It is warranted to be free of defects from workmanship and materials for the period of ONE YEAR from the date of original purchase. Should any trouble develop during this one year period, return the COMPLETE tool, freight prepaid, to one of Makita's Factory or Authorized Service Centers. If inspection shows the trouble is caused by defective workmanship or material, Makita will repair (or at our option, replace) without charge.

This Warranty does not apply where:

- repairs have been made or attempted by others:
- repairs are required because of normal wear and tear:
- the tool has been abused, misused or improperly maintained:
- alterations have been made to the tool.

IN NO EVENT SHALL MAKITA BE LIABLE FOR ANY INDIRECT, INCIDENTAL OR CONSEQUENTIAL DAMAGES FROM THE SALE OR USE OF THE PRODUCT. THIS DISCLAIMER APPLIES BOTH DURING AND AFTER THE TERM OF THIS WARRANTY.

MAKITA DISCLAIMS LIABILITY FOR ANY IMPLIED WARRANTIES, INCLUDING IMPLIED WARRANTIES OF "MERCHANTABILITY" AND "FITNESS FOR A SPECIFIC PURPOSE," AFTER THE ONE YEAR TERM OF THIS WARRANTY.

This Warranty gives you specific legal rights, and you may also have other rights which vary from state to state. Some states do not allow the exclusion or limitation of incidental or consequential damages, so the above limitation or exclusion may not apply to you. Some states do not allow limitation on how long an implied warranty lasts, so the above limitation may not apply to you.

SPÉCIFICATIONS

| Modèle | | DFL201R | | DFL301R | | DFL402R | |
|------------------------|--------------|---|--------------------------------|---|--------------------------------|---|--------------------------------|
| Couple de serrage | Joint rigide | 10 - 20 N • m (88,5 - 177 in • lbs) | | 16 - 30 N • m (142 - 266 in • lbs) | | 25 - 40 N • m (221 - 354 in • lbs) | |
| | Joint souple | 10 - 20 N • m (88,5 - 177 in • lbs) | | 16 - 30 N • m (142 - 266 in • lbs) | | 25 - 40 N • m (221 - 354 in • lbs) | |
| Tournevis carré | | 9,5 mm (3/8") | | 9,5 mm (3/8") | | 9,5 mm (3/8") | |
| Vitesse à vide (T/MIN) | | 360 /min | | 260 /min | | 200 /min | |
| Dimensions | | 429 mm x 72 mm x 98 mm (16-7/8" x 2-13/16" x 3-7/8") | | 477 mm x 72 mm x 98 mm (18-25/32" x 2-13/16" x 3-7/8") | | 477 mm x 72 mm x 98 mm (18-25/32" x 2-13/16" x 3-7/8") | |
| Tension nominale | | C.C. 14,4 V | | | | | |
| Batterie standard | | BL1415NA | BL1430, BL1430B, BL1460A | BL1415NA | BL1430, BL1430B, BL1460A | BL1415NA | BL1430, BL1430B, BL1460A |
| Poids net | | 1,5 kg (3,3 lbs) | 1,7 kg (3,8 lbs) | 1,8 kg (3,9 lbs) | 2,0 kg (4,4 lbs) | 1,8 kg (3,9 lbs) | 2,0 kg (4,4 lbs) |

- Étant donné l'évolution constante de notre programme de recherche et de développement, les spécifications contenues dans ce manuel sont sujettes à modification sans préavis.
- Les caractéristiques techniques et la batterie peuvent varier suivant les pays.
- Poids, batterie comprise, conforme à la procédure EPTA de 01/2003

Consignes de sécurité générales pour outils électriques

⚠ MISE EN GARDE Veuillez lire toutes les mises en garde de sécurité et toutes les instructions. L'ignorance des mises en garde et des instructions comporte un risque de choc électrique, d'incendie et/ou de blessure grave.

Conservez toutes les mises en garde et instructions pour référence future.

Le terme « outil électrique » qui figure dans les avertissements fait référence à un outil électrique branché sur une prise de courant (par un cordon d'alimentation) ou alimenté par batterie (sans fil).

Sécurité de la zone de travail

1. **Maintenez la zone de travail propre et bien éclairée.** Les zones de travail encombrées ou sombres ouvrent grande la porte aux accidents.
2. **N'utilisez pas les outils électriques dans les atmosphères explosives, par exemple en présence de liquides, gaz ou poussières inflammables.** Les outils électriques produisent des étincelles au contact desquelles la poussière ou les vapeurs peuvent s'enflammer.
3. **Assurez-vous qu'aucun enfant ou curieux ne s'approche pendant que vous utilisez un outil électrique.** Vous risquez de perdre la maîtrise de l'outil si votre attention est détournée.

Sécurité en matière d'électricité

4. **Les fiches d'outil électrique sont conçues pour s'adapter parfaitement aux prises de courant. Ne modifiez jamais la fiche de quelque façon que ce soit. N'utilisez aucun adaptateur de fiche sur les outils électriques avec mise à la terre.** En ne modifiant pas les fiches et en les insérant dans des prises de courant pour lesquelles elles ont été conçues vous réduirez les risques de choc électrique.

5. **Évitez tout contact corporel avec les surfaces mises à la terre, telles que les tuyaux, radiateurs, cuisinières et réfrigérateurs.** Le risque de choc électrique est plus élevé si votre corps se trouve mis à la terre.
6. **N'exposez pas les outils électriques à la pluie ou à l'eau.** La présence d'eau dans un outil électrique augmente le risque de choc électrique.
7. **Ne maltraitez pas le cordon. N'utilisez jamais le cordon pour transporter, tirer ou débrancher l'outil électrique. Maintenez le cordon à l'écart des sources de chaleur, de l'huile, des objets à bords tranchants et des pièces en mouvement.** Le risque de choc électrique est plus élevé lorsque les cordons sont endommagés ou enchevêtrés.
8. **Lorsque vous utilisez un outil électrique à l'extérieur, utilisez un cordon prolongateur prévu à cette fin.** Les risques de choc électrique sont moindres lorsqu'un cordon conçu pour l'extérieur est utilisé.
9. **Si vous devez utiliser un outil électrique dans un endroit humide, utilisez une source d'alimentation protégée par un disjoncteur de fuite à la terre.** L'utilisation d'un disjoncteur de fuite à la terre réduit le risque de choc électrique.

Sécurité personnelle

10. **Restez alerte, attentif à vos mouvements et faites preuve de bon sens lorsque vous utilisez un outil électrique. Évitez d'utiliser un outil électrique si vous êtes fatigué ou si vous avez pris une drogue, de l'alcool ou un médicament.** Un moment d'inattention pendant l'utilisation d'un outil électrique peut entraîner une grave blessure.
11. **Portez des dispositifs de protection personnelle. Portez toujours un protecteur pour la vue.** Les risques de blessure seront moins élevés si vous utilisez des dispositifs de protection tels qu'un masque antipoussières, des chaussures à semelle antidérapante, une coiffure résistante ou une protection d'oreilles.

12. **Évitez les démarrages accidentels. Assurez-vous que l'interrupteur soit en position d'arrêt avant de brancher l'outil à la prise électrique et/ou au bloc-piles, avant de prendre ou de transporter l'outil.** Vous ouvrez la porte aux accidents si vous transportez les outils électriques avec le doigt sur l'interrupteur ou si vous les branchez alors que l'interrupteur est en position de marche.
13. **Retirez toute clé de réglage ou de serrage avant de mettre l'outil sous tension.** Toute clé laissée en place sur une pièce rotative de l'outil électrique peut entraîner une blessure.
14. **Maintenez une bonne position. Assurez-vous d'une bonne prise au sol et d'une bonne position d'équilibre en tout temps.** Cela vous permettra d'avoir une meilleure maîtrise de l'outil dans les situations imprévues.
15. **Portez des vêtements adéquats. Ne portez ni vêtements amples ni bijoux. Vous devez maintenir cheveux, vêtements et gants à l'écart des pièces en mouvement.** Les pièces en mouvement peuvent happer les vêtements amples, les bijoux et les cheveux longs.
16. **Si des accessoires sont fournis pour raccorder un appareil d'aspiration et de collecte de la poussière, assurez-vous qu'ils sont correctement raccordés et qu'ils sont utilisés de manière adéquate.** L'utilisation d'un appareil d'aspiration permet de réduire les risques liés à la présence de poussière dans l'air.

Utilisation et entretien des outils électriques

17. **Ne forcez pas l'outil électrique. Utilisez l'outil électrique adéquat suivant le type de travail à effectuer.** Si vous utilisez l'outil électrique adéquat et respectez le régime pour lequel il a été conçu, il effectuera un travail de meilleure qualité et de façon plus sécuritaire.
18. **N'utilisez pas l'outil électrique s'il n'est pas possible de mettre sa gâchette en position de marche et d'arrêt.** Un outil électrique dont l'interrupteur est défectueux représente un danger et doit être réparé.
19. **Débranchez la fiche de la source d'alimentation et/ou retirez le bloc-piles de l'outil électrique avant d'effectuer tout réglage, de changer un accessoire ou de ranger l'outil électrique.** De telles mesures préventives réduisent les risques de démarrage accidentel de l'outil électrique.
20. **Après l'utilisation d'un outil électrique, rangez-le hors de portée des enfants et ne laissez aucune personne l'utiliser si elle n'est pas familiarisée avec l'outil électrique ou les présentes instructions d'utilisation.** Les outils électriques représentent un danger entre les mains de personnes qui n'en connaissent pas le mode d'utilisation.
21. **Veillez à l'entretien des outils électriques. Assurez-vous que les pièces mobiles ne sont pas désalignées ou coincées, qu'aucune pièce n'est cassée et que l'outil électrique n'a subi aucun dommage affectant son bon fonctionnement.** Le cas échéant, faites réparer l'outil électrique avant de l'utiliser. De nombreux accidents sont causés par des outils électriques mal entretenus.

22. **Maintenez les outils tranchants bien aiguisés et propres.** Un outil tranchant dont l'entretien est effectué correctement et dont les bords sont bien aiguisés risquera moins de se coincer et sera plus facile à maîtriser.
23. **Utilisez l'outil électrique, ses accessoires, ses embouts, etc., en respectant les présentes instructions, en tenant compte des conditions de travail et du type de travail à effectuer.** L'utilisation d'un outil électrique à des fins autres que celles prévues peut entraîner une situation dangereuse.

Utilisation et entretien des outils alimentés par batterie

24. **Pour recharger, utilisez uniquement le chargeur spécifié par le fabricant.** L'utilisation d'un chargeur conçu pour un type donné de bloc-piles comporte un risque d'incendie lorsqu'il est utilisé avec un autre type de bloc-piles.
25. **N'utilisez un outil électrique qu'avec le bloc-piles conçu spécifiquement pour cet outil.** Il y a un risque de blessure ou d'incendie si un autre bloc-piles est utilisé.
26. **Lorsque vous n'utilisez pas le bloc-piles, rangez-le à l'écart des objets métalliques tels que trombones, pièces de monnaie, clés, clous, vis ou autres petits objets métalliques qui risquent d'établir une connexion entre les bornes.** La mise en court-circuit des bornes de batterie peut causer des brûlures ou un incendie.
27. **Dans des conditions d'utilisation inadéquates de la batterie, il peut y avoir fuite d'électrolyte; évitez tout contact avec ce liquide. En cas de contact accidentel, rincez avec beaucoup d'eau. Si le liquide pénètre dans vos yeux, il faut aussi consulter un médecin.** L'électrolyte qui s'échappe de la batterie peut causer des irritations ou des brûlures.

Réparation

28. **Faites réparer votre outil électrique par un réparateur qualifié qui utilise des pièces de rechange identiques aux pièces d'origine.** Le maintien de la sûreté de l'outil électrique sera ainsi assuré.
29. **Suivez les instructions de lubrification et de changement des accessoires.**
30. **Maintenez les poignées de l'outil sèches, propres et exemptes d'huile ou de graisse.**

CONSIGNES DE SÉCURITÉ POUR LE TOURNEVIS SANS FIL

1. **Tenez l'outil par ses surfaces de prise isolées pendant toute opération où l'accessoire de fixation pourrait venir en contact avec un câblage dissimulé.** En cas de contact avec un conducteur sous tension, les pièces métalliques à découvert de l'outil pourraient devenir sous tension et risqueraient de transmettre une décharge électrique à l'utilisateur.
2. **Adoptez toujours une position de travail vous assurant d'un bon équilibre. Assurez-vous qu'il n'y a personne plus bas lorsque vous utilisez l'outil en position élevée.**
3. **Tenez l'outil fermement.**

4. Gardez les mains éloignées des pièces en rotation.
5. Ne touchez ni la fraise, ni la pièce à travailler immédiatement après l'utilisation ; elles peuvent être extrêmement chaudes et vous pourriez vous brûler la peau.
6. Ne rangez pas l'outil ou la batterie dans des emplacements où la température peut atteindre ou dépasser 50 °C (122 °F).
7. Ne jetez pas la batterie au feu même si elle est sérieusement endommagée ou complètement épuisée. La batterie peut exploser au contact du feu.

CONSERVEZ CE MODE D'EMPLOI.

▲MISE EN GARDE : NE VOUS LAISSEZ PAS tromper (au fil d'une utilisation répétée) par un sentiment d'aisance ou de familiarité avec le produit en négligeant les consignes de sécurité qui accompagnent le produit. L'utilisation non sécuritaire ou incorrecte de cet outil comporte un risque de blessure grave.

Symboles

Les symboles utilisés pour l'outil sont indiqués ci-dessous.

| | |
|--------------------|---------------------------------|
| V | volts |
| — — — | courant continu |
| n _o | vitesse à vide |
| ... /min r /min | tours ou alternances par minute |

Consignes de sécurité importantes pour la batterie

1. Avant d'utiliser la batterie, lisez toutes les instructions et les mises en garde apposées sur (1) le chargeur de batterie, (2) la batterie et (3) le produit utilisant la batterie.
2. Ne démontez pas la batterie.
3. Cessez immédiatement l'utilisation si le temps de fonctionnement devient excessivement court. Il y a un risque de surchauffe, de brûlures, voire d'explosion.
4. Si l'électrolyte pénètre dans vos yeux, rincez-les à l'eau claire et consultez immédiatement un médecin. Il y a un risque de perte de la vue.
5. Ne court-circuitez pas la batterie :
 - (1) Ne touchez les bornes avec aucun matériau conducteur.
 - (2) Évitez de ranger la batterie dans un conteneur avec d'autres objets métalliques tels que clous, pièces de monnaie, etc.
 - (3) Évitez d'exposer la batterie à l'eau ou à la pluie.

Un court-circuit de la batterie pourrait provoquer un fort courant, une surchauffe, parfois des brûlures et même une panne.

8. Prenez garde d'échapper ou de heurter la batterie.
9. N'utilisez pas une batterie si elle est endommagée.
10. Les batteries lithium-ion fournies sont soumises aux exigences de la législation sur les marchandises dangereuses.
Des exigences particulières sur l'emballage et l'étiquetage doivent être respectées lors du transport commercial par des tiers, des transitaires, etc. Pour préparer la marchandise à expédier, consultez un expert en matériaux dangereux si nécessaire. Respectez aussi les éventuelles réglementations nationales plus détaillées.
Recouvrez de ruban isolant les contacts exposés, et emballez la batterie de sorte qu'elle ne puisse pas se déplacer à l'intérieur de l'emballage.
11. Suivez la réglementation locale concernant l'élimination de la batterie.

CONSERVEZ CES INSTRUCTIONS.

▲ATTENTION : Utilisez exclusivement les batteries fabriquées par Makita. Les batteries autres que celles fabriquées par Makita ou les batteries modifiées peuvent exploser et causer un incendie, une blessure ou des dommages. Cela annule aussi la garantie Makita de l'outil et du chargeur Makita.

Conseils pour maintenir la durée de service maximale de la batterie

1. Rechargez la batterie avant qu'elle ne soit complètement déchargée. Arrêtez toujours l'outil et rechargez la batterie quand vous remarquez que la puissance de l'outil diminue.
2. Ne rechargez jamais une batterie complètement chargée. La surcharge réduit la durée de service de la batterie.
3. Chargez la batterie à une température ambiante comprise entre 10 °C et 40 °C (50 °F et 104 °F). Si la batterie est chaude, laissez-la refroidir avant de la charger.
4. Chargez la batterie si elle est restée inutilisée pendant une période prolongée (plus de six mois).

(Uniquement pour les États-Unis)

Cet appareil est conforme à la Partie 15 des Règlements de la FCC. L'utilisation est soumise aux deux conditions suivantes :

- (1) Cet appareil ne peut pas causer de brouillage nuisible, et
- (2) Cet appareil doit accepter tout brouillage reçu, y compris le brouillage pouvant causer un fonctionnement indésirable.

ATTENTION : Tout changement ou modification non expressément approuvé par la partie responsable de la conformité peut entraîner l'annulation du droit de l'utilisateur à utiliser cet appareil.

ATTENTION : Afin d'être conforme aux lignes directrices de la FCC concernant l'exposition non contrôlée au rayonnement de radiofréquence, cet appareil et son antenne ne doivent pas être placés avec ou utilisés en combinaison avec tout autre émetteur ou antenne.

REMARQUE : Cet appareil a été testé et jugé conforme aux limites pour appareil numérique de Classe A, conformément à la Partie 15 des Règlements de la FCC.

Ces limites sont conçues pour assurer une protection raisonnable contre le brouillage nuisible lorsque l'appareil est utilisé dans un environnement commercial. Cet appareil génère, utilise et peut émettre de l'énergie de radiofréquence, et, s'il n'est pas installé et utilisé conformément au manuel d'instructions, peut causer du brouillage nuisible sur les communications radio. L'utilisation de cet appareil dans une zone résidentielle risque de causer du brouillage nuisible, et dans ce cas l'utilisateur devra annuler ce brouillage à ses propres frais.

(Uniquement pour le Canada)

Avis d'Industrie Canada

ATTENTION : L'utilisation est soumise aux deux conditions suivantes :

- (1) Cet appareil ne peut pas causer de brouillage, et
- (2) Cet appareil doit accepter tout brouillage, y compris le brouillage pouvant causer un fonctionnement indésirable de l'appareil.

ATTENTION : L'installateur de cet équipement radio doit s'assurer que l'antenne est placée ou orientée de façon à ne pas émettre un champ de radiofréquence supérieur aux limites spécifiées par Santé Canada pour la population en général ; veuillez consulter le Code de Sécurité 6, disponible sur le site Web de Santé Canada à l'adresse www.hc-sc.gc.ca/rpb.

DESCRIPTION DU FONCTIONNEMENT

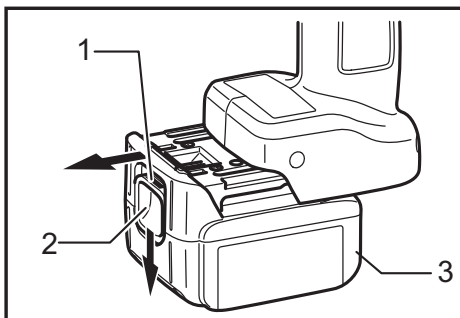
⚠ ATTENTION :

- Assurez-vous toujours que l'outil est hors tension et que sa batterie est retirée avant de l'ajuster ou de vérifier son fonctionnement.

Installation ou retrait de la batterie

⚠ ATTENTION : Éteignez toujours l'outil avant d'installer ou de retirer la batterie.

⚠ ATTENTION : Tenez fermement l'outil et la batterie lors de l'installation ou du retrait de cette dernière. Si l'outil et la batterie ne sont pas tenus fermement, ils risquent de vous glisser des mains et de subir des dommages, ou encore de vous blesser.



▶ 1. Voyant rouge 2. Bouton 3. Batterie

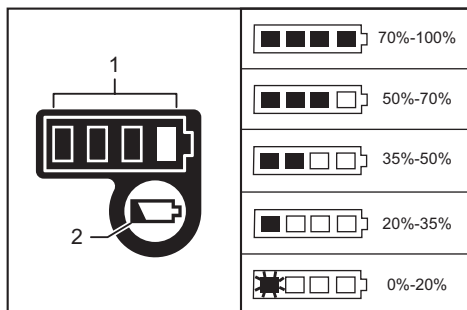
Pour retirer la batterie, faites-la glisser hors de l'outil tout en glissant le bouton qui se trouve à l'avant.

Pour installer la batterie, alignez sa languette sur la rainure pratiquée dans le boîtier, et glissez la batterie en place. Insérez-la à fond jusqu'à ce que vous entendiez un léger déclic. Si vous pouvez voir le voyant rouge sur le dessus du bouton, la batterie n'est pas complètement verrouillée.

⚠ ATTENTION : Installez toujours la batterie à fond jusqu'à ce que vous ne puissiez plus voir le voyant rouge. Autrement elle risque de tomber accidentellement de l'outil et d'entraîner des blessures.

⚠ ATTENTION : Ne forcez pas sur la batterie pour l'installer. Si la batterie ne glisse pas facilement, c'est qu'elle n'est pas insérée correctement.

Vérification du niveau de charge de la batterie (BL1460A)



► 1. Témoins indicateurs 2. Bouton de vérification

NOTE : Suivant les conditions d'utilisation et la température ambiante, il se peut que l'indication soit légèrement différente de la charge réelle.

Pendant la charge

Lorsque la charge commence, le premier témoin indicateur (à l'extrême gauche) commence à clignoter. Puis, à mesure que la batterie se charge, les autres témoins s'allument un après l'autre pour indiquer le niveau de charge de la batterie.

NOTE : Si la lampe témoin ne s'allume pas ou ne clignote pas pendant la charge, il se peut que la batterie soit défectueuse. Le cas échéant, informez-vous auprès de votre centre de service après-vente local.

Pendant l'utilisation

Lorsque vous allumez l'outil, les témoins s'allument pour indiquer la charge restante de la batterie. Lorsque vous éteignez l'outil, la lumière s'éteint au bout d'environ 5 secondes.

Lorsque vous appuyez sur le bouton de vérification alors que l'outil est éteint, les lampes témoin s'allument pendant environ 5 secondes pour indiquer la charge de la batterie. Si le témoin orange clignote, l'outil s'arrête en raison de la faible charge restante de la batterie (mécanisme d'arrêt automatique). Chargez la batterie ou utilisez une batterie chargée à ce moment.

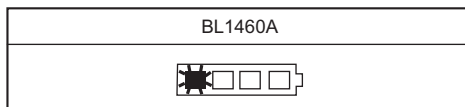
Si l'outil est utilisé avec une batterie restée longtemps inutilisée, il se peut que les témoins ne s'allument pas lorsque vous allumez l'outil. L'outil s'arrête en raison de la faible charge restante de la batterie à ce moment. Chargez la batterie adéquatement.

Dispositif de protection de la batterie (BL1460A)

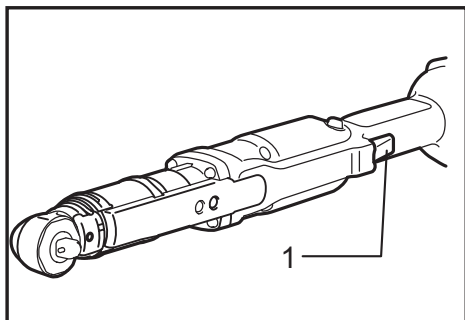
L'outil est équipé d'un système de protection de la batterie. Ce système coupe automatiquement l'alimentation du moteur pour augmenter la durée de vie de la batterie.

L'outil s'arrête automatiquement pendant l'utilisation lorsque l'outil et/ou la batterie sont dans les situations suivantes :

- **En surcharge :**
L'outil est utilisé d'une manière entraînant une consommation anormale de courant. Dans cette situation, relâchez la gâchette et arrêtez l'activité qui entraîne une surcharge de l'outil. Puis appuyez de nouveau sur la gâchette pour redémarrer. Si l'outil ne démarre pas, la batterie est en surchauffe. Dans cette situation, laissez refroidir la batterie avant d'appuyer de nouveau sur la gâchette.
- **Tension de la batterie faible :**
Lorsque la charge de la batterie est insuffisante, l'outil s'arrête automatiquement et le voyant de batterie indique l'état suivant. Dans ce cas, retirez la batterie de l'outil et chargez-la.



Interrupteur



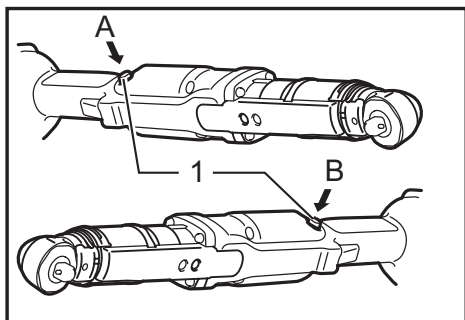
► 1. Gâchette

ATTENTION :

- Avant d'insérer la batterie dans l'outil, vérifiez toujours que la gâchette fonctionne bien et revient en position d'arrêt lorsque relâchée.

Pour faire démarrer l'outil, appuyez simplement sur la gâchette. Pour l'arrêter, relâchez la gâchette.

Inverseur



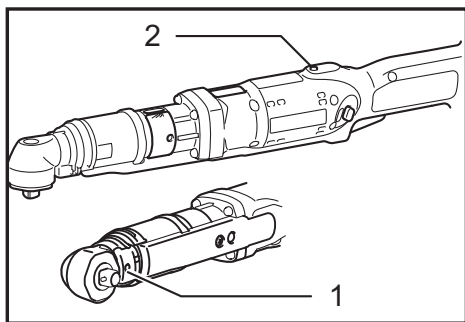
► 1. Levier inverseur

ATTENTION :

- Vérifiez toujours le sens de rotation avant de mettre l'outil en marche.
- N'actionnez l'inverseur qu'une fois que l'outil est complètement arrêté. Si vous changez le sens de rotation avant l'arrêt de l'outil, vous risquez de l'endommager.
- Lorsque vous n'utilisez pas l'outil, placez toujours le levier inverseur en position neutre.

L'outil possède un inverseur qui permet de changer le sens de rotation. Enfoncez le levier inverseur du côté A pour une rotation dans le sens des aiguilles d'une montre, ou du côté B pour une rotation dans le sens inverse des aiguilles d'une montre. La pression sur la gâchette n'est pas possible lorsque le levier inverseur se trouve en position neutre.

Allumage de la lampe



► 1. Lampe 2. Voyant DEL A

ATTENTION :

- Evitez de regarder directement le faisceau lumineux ou sa source.

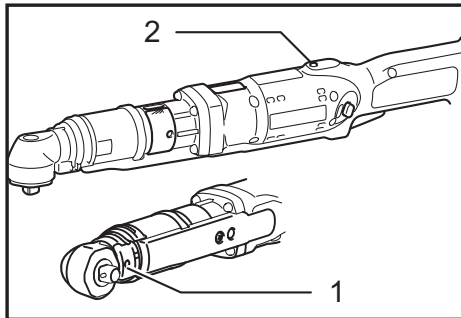
Appuyez sur la gâchette pour allumer la lampe. La lampe demeure allumée tant que la pression sur la gâchette est maintenue. Lorsque vous relâchez la gâchette, la lumière s'éteint au bout de 10 secondes.

NOTE :

- Utilisez un chiffon sec pour essuyer la saleté qui recouvre la lentille de la lampe. Prenez garde de rayer la lentille de la lampe, pour éviter une diminution de l'éclairage.

Témoin DEL/avertisseur sonore

Pour le voyant DEL A



► 1. Lampe 2. Voyant DEL A

Le témoin DEL/avertisseur sonore de l'outil indique les fonctions suivantes.

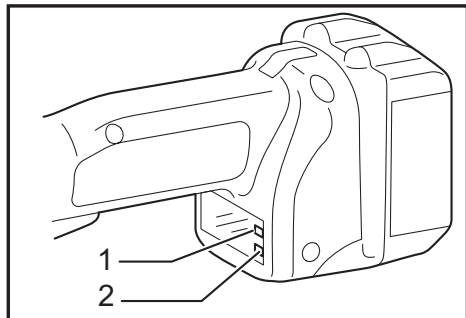
| État du témoin DEL / avertisseur sonore | | Fonction | État | Mesure à prendre |
|--|--------------------------------------|---|--|---|
| Témoin DEL | Avertisseur sonore | | | |
| S'allume en vert, → rouge, → bleu → et blanc, dans cet ordre | Série de très courts signaux sonores | Vérifiez le voyant DEL A et l'avertisseur sonore (la première fois que vous appuyez sur la gâchette après avoir inséré une batterie dans l'outil) | Assurez-vous que les voyants DEL vert, rouge, bleu et blanc s'allument et que les avertisseurs sonores sonnent correctement | _____ |
| Clignote lentement en violet. | Série de longs signaux sonores | Avertissement de faible charge de la batterie | Indique le temps approprié pour remplacer la batterie lorsqu'elle devient faible. | Remplacez la batterie par une autre complètement chargée. |
| S'allume en violet | Long signal sonore | Vérification de la charge restante de la batterie, Arrêt automatique | Cette fonction s'active également lorsque la batterie est presque complètement épuisée. L'outil s'arrête alors immédiatement. | Remplacez la batterie par une autre complètement chargée. |
| S'allume alternativement en rouge et en vert | Série de courts signaux sonores | Anti-réinitialisation du contrôleur | Cette fonction s'active lors d'une baisse anormale de la tension de la batterie pour une raison quelconque, et l'outil s'arrête. | Remplacez la batterie par une autre complètement chargée. |
| | | Panne du moteur | Cette fonction s'active en cas de panne du moteur. | Apportez-le dans un centre de service après-vente Makita agréé. |
| Clignote rapidement en rouge. | Série de courts signaux sonores | Surchauffe | Cette fonction s'active lorsque la température du contrôleur ou du moteur s'élève de manière excessive, et l'outil s'arrête. | Retirez immédiatement la batterie et laissez refroidir l'outil. |
| Vert (bleu lorsque tout le travail est terminé en mode d'outil autonome) | | Serrage à arrêt automatique | Cette fonction s'active lorsque l'outil dans la plage de couple de serrage préréglée sur l'ordinateur et que le serrage s'est effectué normalement. (Note) | _____ |
| S'allume en rouge. | Long signal sonore | Résultat du jugement de couple : NOK (Élevé) | Cette fonction s'active lorsque l'outil a dépassé la plage de couple de serrage préréglée sur l'ordinateur. (Note) | _____ |

| État du témoin DEL / avertisseur sonore | | Fonction | État | Mesure à prendre |
|--|---------------------------------|--|--|---|
| Témoin DEL | Avertisseur sonore | | | |
| S'allume en jaune. | Long signal sonore | Résultat du jugement de couple : NOK (Bas) | Cette fonction s'active lorsque l'outil se trouve sous la plage de couple de serrage pré réglée sur l'ordinateur. (Note) | _____ |
| Clignote alternativement en rouge et en jaune. | Long signal sonore | Avertissement de serrage insuffisant | Le serrage est incomplet lorsque la gâchette de l'outil est libérée avant l'activation de l'embrayage. | _____ |
| | | Détection de double frappe | Cette fonction s'active lors du resserrage d'une vis après le serrage. | _____ |
| | | Jugement d'angle NOK | Cette fonction s'active lorsqu'une vis n'est pas serrée dans la plage d'angle pré réglée sur l'ordinateur (Note). | _____ |
| | | Réduction NOK | Cette fonction s'active lorsque le serrage se termine avant d'atteindre la plage d'angle pré réglée. (Note) | _____ |
| | | Contrôle de couple impossible | Cette fonction s'active lorsque l'exécution du contrôle du couple n'est pas possible. | _____ |
| Clignote alternativement en rouge et en bleu. | Série de courts signaux sonores | Déconnexion (lors de l'utilisation du récepteur RCV02) | Communication radio non établie | Complétez les connexions nécessaires ou retirez la batterie. |
| | | Panne de communication radio | Cette fonction s'active en cas de panne de communication radio. | Apportez-le dans un centre de service après-vente Makita agréé. |

Note : Ces valeurs sont modifiables sur l'ordinateur.
Reportez-vous au MANUEL D'INSTRUCTIONS
SRCV02 pour plus d'informations.

Pour le voyant DEL B

Le témoin DEL/avertisseur sonore de l'outil indique les fonctions suivantes.



► 1. Voyant DEL B1 2. Voyant DEL B2

| Description | Couleur affichée | Affichage et état | | | |
|----------------|--|-------------------|---|-------------------------|--|
| Voyant DEL B ① | Vert | 1 | s'allume lorsque l'outil est connecté à un récepteur. | | |
| | | 2 | clignote lorsque l'outil doit être connecté à un récepteur. (Note 1) | | |
| | | 3 | éteint | un des états ci-dessous | |
| | | | | 3-1 | lorsque la batterie est retirée de l'outil |
| 3-2 | lorsque l'outil est laissé allumé sans être utilisé pendant plus de 15 minutes alors qu'il est alimenté par la batterie. | | | | |
| 3-3 | lorsque l'outil ne se trouve pas dans la zone de transmission. (Note 2) | | | | |
| Voyant DEL B ② | Rouge | 1 | s'allume lorsque la quantité de données sauvegardées de l'outil atteint la quantité maximale de données qu'il peut sauvegarder. | | |
| | | 2 | clignote lorsque la quantité de données sauvegardées de l'outil est égale ou inférieure à la quantité maximale de données qu'il peut sauvegarder. | | |
| | | 3 | éteint lorsque l'outil n'a pas de données sauvegardées à transmettre à un récepteur. | | |

Note 1 : Reportez-vous au manuel d'instructions du récepteur (accessoire) RCV02 lors de la connexion.

Note 2 : Distance de communication : 10 m ou moins (peut aller jusqu'à 10 m suivant l'environnement d'utilisation)

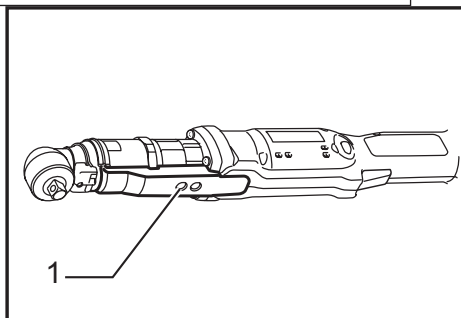
⚠ ATTENTION :

- Assurez-vous que voyant DEL B2 n'est pas allumé avant de retirer la batterie de l'outil. Si vous retirez la batterie alors que voyant DEL B2 est allumé ou clignote, les données sauvegardées de l'outil seront supprimées.

Réglage du couple de serrage

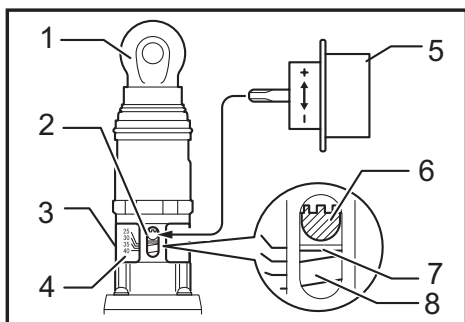
Pour serrer des vis à machine, des vis à bois, des boulons hexagonaux, etc., avec un couple de serrage donné, procédez au réglage du couple de serrage de la façon suivante.

- Retirez d'abord la batterie de l'outil.
- Desserrez et retirez la vis qui retient l'anneau. (Desserrez les deux vis qui retiennent l'anneau seulement pour le modèle DFL201R)



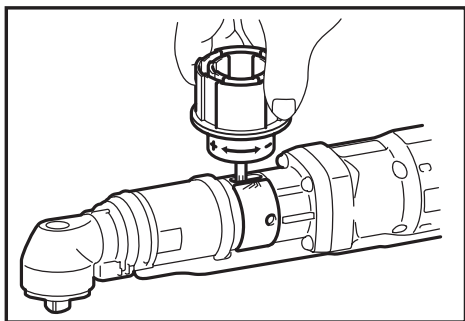
► 1. Vis

3. Tournez manuellement l'anneau à l'avant de l'outil de sorte que l'orifice soit visible sous l'anneau.
4. Mettez la batterie en place et appuyez sur la gâchette. Relâchez-la de sorte que l'anneau de réglage tourne et devienne visible dans l'orifice. Retirez ensuite la batterie.



► 1. Tête coudée 2. Orifice pour la poignée de réglage 3. Bague 4. Échelle 5. Poignée de réglage 6. Orifice pour la poignée de réglage 7. Ligne jaune 8. Ressort de compression

5. Utilisez la poignée de réglage en option pour régler le couple de serrage. Insérez la broche de la poignée de réglage dans l'orifice à l'avant de l'outil. Tournez ensuite la poignée de réglage dans le sens des aiguilles d'une montre pour augmenter le couple de serrage, et dans le sens inverse pour le réduire.



6. Alignez le bord de l'anneau de réglage sur le numéro désiré sur l'échelle du couple de serrage.
7. Insérez la batterie et assurez-vous que le couple de serrage est bien réglé, au moyen d'un testeur de couple de serrage.
8. Tournez l'anneau de sorte que l'orifice qui sert au réglage de la poignée soit recouvert, puis tenez l'anneau dans cette position tout en serrant la vis.

NOTE :

- Les numéros inscrits sur l'échelle du couple de serrage permettent d'effectuer un réglage approximatif sur le couple de serrage désiré.

ASSEMBLAGE

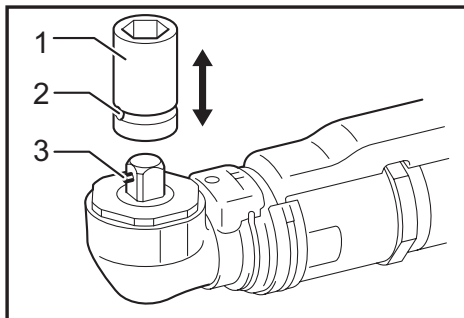
⚠ ATTENTION :

- Assurez-vous toujours que l'outil est hors tension et que sa batterie est retirée avant d'effectuer tout travail dessus.

Sélection de la douille

Pour certains modèles il existe différents types de douilles, suivant le travail à effectuer. Veuillez choisir et installer une douille qui convient au travail à effectuer.

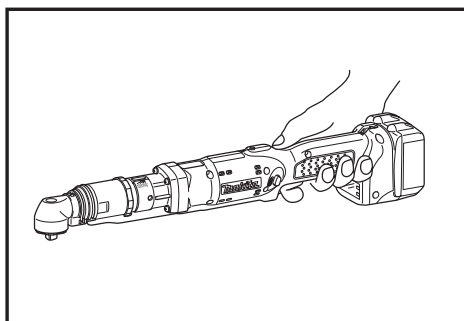
Installation et retrait de la douille



► 1. Douille 2. Orifice 3. Broche

Pour installer la douille, poussez-la dans le carré conducteur de l'outil à l'aide d'une main tout en appuyant de l'autre main sur la broche du carré conducteur jusqu'à ce que la douille se verrouille en place. Pour retirer la douille, tirez simplement dessus en appuyant sur la broche du carré conducteur.

UTILISATION



Saisissez fermement l'outil et placez la douille sur le boulon ou l'écrou. Mettez ensuite l'outil sous tension. Lorsque l'embrayage s'active, le moteur s'arrête automatiquement. Relâchez ensuite la gâchette.

NOTE :

- Tenez l'outil en pointant le carré conducteur bien droit sur le boulon ou l'écrou pour éviter de l'endommager.

Limites de capacité de serrage

Utilisez l'outil à l'intérieur de la plage d'angle de révolution avec au maximum 360°. De plus, l'outil ne pourra pas fournir un couple de serrage suffisant (le voyant LEDA #A clignote lentement en violet ou s'allume en violet).

NOTE :

- L'angle de rotation fait référence à l'angle sur lequel une vis ou un boulon tourne lorsque l'outil passe de 50% à 100% du couple désiré.
- L'utilisation d'une batterie pour basses températures peut indiquer la capacité de la cartouche avec un témoin d'alerte et un avertisseur sonore qui arrêtent immédiatement l'outil. Dans ce cas, la capacité de serrage peut être inférieure aux spécifications de ce manuel même si une batterie chargée est utilisée.

ENTRETIEN**ATTENTION :**

- Assurez-vous toujours que l'outil est hors tension et que la batterie est retirée avant d'y effectuer tout travail d'inspection ou d'entretien.
- N'utilisez jamais d'essence, de benzine, de solvant, d'alcool ou d'autres produits similaires. Une décoloration, une déformation, ou la formation de fissures peuvent en découler.

Pour maintenir la SÉCURITÉ et la FIABILITÉ du produit, les réparations, tout autre travail d'entretien ou de réglage doivent être effectués dans un centre de service Makita agréé ou un centre de service de l'usine Makita, exclusivement avec des pièces de rechange Makita.

ACCESSOIRES EN OPTION**ATTENTION :**

- Ces accessoires ou pièces complémentaires sont recommandés pour l'utilisation avec l'outil Makita spécifié dans ce mode d'emploi. L'utilisation de tout autre accessoire ou pièce complémentaire peut comporter un risque de blessure. N'utilisez les accessoires ou pièces qu'aux fins auxquelles ils ont été conçus.

Si vous désirez obtenir plus de détails concernant ces accessoires, veuillez contacter le centre de service après-vente Makita le plus près.

- Protecteur (jaune, bleu, rouge, transparent)
- Chargeur et batterie authentiques Makita
- Poignée de réglage
- Axe complet 12,7
- Récepteur RCV02
- Disque d'installation du logiciel (CD-ROM)
- Adaptateur série-USB
- Câble RS-232C

NOTE :

- Certains éléments de la liste peuvent être inclus avec l'outil comme accessoires standard. Ils peuvent varier suivant les pays.

GARANTIE LIMITÉE D'UN AN DE MAKITA**Politique de garantie**

Tous les outils Makita sont soigneusement inspectés et mis à l'essai avant de quitter l'usine. Ils sont garantis contre les vices de fabrication et de matériau pour une période d'UN AN suivant la date de l'achat original. Si un problème survient pendant cette période d'un an, retournez l'outil COMPLET, fret payé d'avance, à une usine ou un centre de service après-vente autorisé Makita. S'il ressort de l'inspection que le problème est dû à un vice de fabrication ou de matériau, Makita réparera (ou remplacera, à son gré) l'outil gratuitement. Cette garantie ne s'applique pas dans les cas où :

- des réparations ont été effectuées ou tentées par un tiers;
- des réparations sont nécessaires en raison de l'usure normale;
- l'outil a été malmené, mal utilisé ou non adéquatement entretenu;
- l'outil a subi des modifications.

MAKITA NE SERA EN AUCUN CAS RESPONSABLE DE TOUS DOMMAGES INDIRECTS, ACCESSOIRES OU CONSÉCUTIFS DE LA VENTE OU DE L'UTILISATION DU PRODUIT. CET AVIS DE NON-RESPONSABILITÉ S'APPLIQUE PENDANT ET APRÈS LA PÉRIODE COUVERTE PAR CETTE GARANTIE.

MAKITA DÉCLINE TOUTE RESPONSABILITÉ QUANT À TOUTES GARANTIES IMPLICITES, Y COMPRIS LES GARANTIES DE « QUALITÉ MARCHANDE » OU D'« ADAPTATION À UN USAGE PARTICULIER » APRÈS LA PÉRIODE DE GARANTIE D'UN AN.

Cette garantie vous donne des droits légaux spécifiques, et vous pouvez également avoir d'autres droits qui varient d'une province à l'autre. Certaines provinces n'autorisent pas l'exclusion ou la restriction des dommages accessoires ou consécutifs, il se peut que la restriction ou l'exclusion ci-dessus ne s'applique pas à vous. Certaines provinces n'autorisent pas de restriction quant à la durée des garanties implicites, il se peut que la restriction ci-dessus ne s'applique pas à vous.

ESPECIFICACIONES

| Modelo | | DFL201R | | DFL301R | | DFL402R | |
|------------------------------|--------------|--|--------------------------|--|--------------------------|--|--------------------------|
| Par de fuerza de apriete | Unión fuerte | 10 - 20 N • m (88,5 - 177 in • lbs) | | 16 - 30 N • m (142 - 266 in • lbs) | | 25 - 40 N • m (221 - 354 in • lbs) | |
| | Unión suave | 10 - 20 N • m (88,5 - 177 in • lbs) | | 16 - 30 N • m (142 - 266 in • lbs) | | 25 - 40 N • m (221 - 354 in • lbs) | |
| Adaptador cuadrado | | 9,5 mm (3/8") | | 9,5 mm (3/8") | | 9,5 mm (3/8") | |
| Velocidad sin carga (rpm) | | 360 r/min | | 260 r/min | | 200 r/min | |
| Dimensiones | | 429 mm x 72 mm x 98 mm (16-7/8" x 2-13/16" x 3-7/8") | | 477 mm x 72 mm x 98 mm (18-25/32" x 2-13/16" x 3-7/8") | | 477 mm x 72 mm x 98 mm (18-25/32" x 2-13/16" x 3-7/8") | |
| Tensión nominal | | 14,4 V c.c. | | | | | |
| Cartucho de batería estándar | | BL1415NA | BL1430, BL1430B, BL1460A | BL1415NA | BL1430, BL1430B, BL1460A | BL1415NA | BL1430, BL1430B, BL1460A |
| Peso neto | | 1,5 kg (3,3 lbs) | 1,7 kg (3,8 lbs) | 1,8 kg (3,9 lbs) | 2,0 kg (4,4 lbs) | 1,8 kg (3,9 lbs) | 2,0 kg (4,4 lbs) |

- Debido a nuestro programa continuo de investigación y desarrollo, las especificaciones aquí dadas están sujetas a cambios sin previo aviso.
- Las especificaciones y el cartucho de la batería pueden variar de país a país.
- Peso de acuerdo al procedimiento de EPTA-01/2003 incluyendo el cartucho de la batería

Advertencias de seguridad generales para herramientas eléctricas

⚠ ADVERTENCIA: lea todas las advertencias de seguridad e instrucciones. Si no sigue todas las advertencias e instrucciones indicadas a continuación, podrá ocasionar una descarga eléctrica, un incendio y/o lesiones graves.

Guarde todas las advertencias e instrucciones para su futura referencia.

El término "herramienta eléctrica" se refiere, en todas las advertencias que aparecen a continuación, a su herramienta eléctrica de funcionamiento con conexión a la red eléctrica (con cableado eléctrico) o herramienta eléctrica de funcionamiento a batería (inalámbrica).

Seguridad en el área de trabajo

1. **Mantenga el área de trabajo limpia y bien iluminada.** Las áreas oscuras o desordenadas son propensas a accidentes.
2. **No utilice las herramientas eléctricas en atmósferas explosivas, tal como en la presencia de líquidos, gases o polvo inflamables.** Las herramientas eléctricas crean chispas que pueden prender fuego al polvo o los humos.
3. **Mantenga a los niños y curiosos alejados mientras utiliza una herramienta eléctrica.** Las distracciones le pueden hacer perder el control.

Seguridad eléctrica

4. **Las clavijas de conexión de las herramientas eléctricas deberán encajar perfectamente en la toma de corriente. No modifique nunca la clavija de conexión de ninguna forma. No utilice ninguna clavija adaptadora con herramientas eléctricas que tengan conexión a tierra (puesta**

a tierra). La utilización de clavijas no modificadas y que encajen perfectamente en la toma de corriente reducirá el riesgo de que se produzca una descarga eléctrica.

5. **Evite tocar con el cuerpo superficies conectadas a tierra o puestas a tierra tales como tubos, radiadores, cocinas y refrigeradores.** Si su cuerpo es puesto a tierra o conectado a tierra existirá un mayor riesgo de que sufra una descarga eléctrica.
6. **No exponga las herramientas eléctricas a la lluvia ni a condiciones húmedas.** La entrada de agua en una herramienta eléctrica aumentará el riesgo de que se produzca una descarga eléctrica.
7. **No jale el cable. Nunca utilice el cable para transportar, jalar o desconectar la herramienta eléctrica. Mantenga el cable alejado del calor, aceite, objetos cortantes o piezas móviles.** Los cables dañados o atrapados aumentan el riesgo de sufrir una descarga eléctrica.
8. **Cuando utilice una herramienta eléctrica en exteriores, utilice un cable de extensión apropiado para uso en exteriores.** La utilización de un cable apropiado para uso en exteriores reducirá el riesgo de que se produzca una descarga eléctrica.
9. **Si no es posible evitar usar una herramienta eléctrica en condiciones húmedas, utilice un alimentador protegido con interruptor de circuito de falla en tierra (ICFT).** El uso de un ICFT reduce el riesgo de descarga eléctrica.

Seguridad personal

10. **Manténgase alerta, preste atención a lo que está haciendo y utilice su sentido común cuando opere una herramienta eléctrica. No utilice la herramienta eléctrica cuando esté cansado o bajo la influencia de drogas, alcohol o medicamentos.** Un momento de distracción mientras opera la máquina puede dar como resultado heridas personales graves.

11. **Use equipo de protección personal. Póngase siempre protección para los ojos.** El equipo protector tal como máscara contra el polvo, zapatos de seguridad antiderrapantes, casco rígido y protección para oídos utilizado en las condiciones apropiadas reducirá las heridas personales.
12. **Impida el encendido accidental. Asegúrese de que el interruptor esté en la posición de apagado antes de conectar a la alimentación eléctrica y/o de colocar el cartucho de la batería, así como al levantar o cargar la herramienta.** Cargar las herramientas eléctricas con su dedo en el interruptor o enchufarlas con el interruptor encendido hace que los accidentes sean propensos.
13. **Retire cualquier llave de ajuste o llave de apriete antes de encender la herramienta.** Una llave de ajuste o llave de apriete que haya sido dejada puesta en una parte giratoria de la herramienta eléctrica podrá resultar en heridas personales.
14. **No utilice la herramienta donde no alcance. Mantenga los pies sobre suelo firme y el equilibrio en todo momento.** Esto permite un mejor control de la herramienta eléctrica en situaciones inesperadas.
15. **Use vestimenta apropiada. No use ropas sueltas ni joyas. Mantenga el cabello, la ropa y los guantes alejados de las piezas móviles.** Las prendas de vestir holgadas, las joyas y el cabello suelto podrían engancharse en estas piezas móviles.
16. **Si dispone de dispositivos para la conexión de equipos de extracción y recolección de polvo, asegúrese de conectarlos y utilizarlos debidamente.** La utilización de estos dispositivos reduce los riesgos relacionados con el polvo.

Mantenimiento y uso de la herramienta eléctrica

17. **No fuerce la herramienta eléctrica. Utilice la herramienta eléctrica correcta para su aplicación.** La herramienta eléctrica adecuada hará un trabajo mejor a la velocidad para la que ha sido fabricada.
18. **No utilice la herramienta eléctrica si el interruptor no la enciende y apaga.** Cualquier herramienta eléctrica que no pueda ser controlada con el interruptor es peligrosa y debe ser reemplazada.
19. **Desconecte la clavija de la fuente de energía y/o la batería de la herramienta eléctrica antes de realizar ajustes, cambiar accesorios o guardar las herramientas eléctricas.** Dichas medidas de seguridad preventivas reducen el riesgo de que la herramienta se inicie accidentalmente.
20. **Guarde la herramienta eléctrica que no use fuera del alcance de los niños y no permita que las personas que no están familiarizadas con ella o con las instrucciones la operen.** Las herramientas eléctricas son peligrosas en manos de personas que no saben operarlas.
21. **Realice el mantenimiento a las herramientas eléctricas. Compruebe que no haya partes móviles desalineadas o estancadas, piezas rotas y cualquier otra condición que pueda afectar al funcionamiento de la herramienta eléctrica. Si la herramienta eléctrica está dañada, haga que se la reparen antes de utilizarla.** Muchos accidentes son ocasionados por herramientas eléctricas con un mal mantenimiento.

22. **Mantenga las herramientas de corte limpias y filosas.** Si recibe un mantenimiento adecuado y tiene los bordes afilados, es probable que la herramienta se atasque menos y sea más fácil controlarla.
23. **Utilice la herramienta eléctrica, así como accesorios, piezas, brocas, etc. de acuerdo con estas instrucciones y de la manera establecida para cada tipo de unidad en particular; tenga en cuenta las condiciones laborales y el trabajo a realizar.** Si utiliza la herramienta eléctrica para realizar operaciones distintas de las indicadas, podrá presentarse una situación peligrosa.

Uso y cuidado de la herramienta a batería

24. **Realice la recarga sólo con el cargador especificado por el fabricante.** Un cargador que es adecuado para un solo tipo de batería puede generar riesgo de incendio al ser utilizado con otra batería.
25. **Utilice las herramientas eléctricas solamente con las baterías designadas específicamente para ellas.** La utilización de cualquier otra batería puede crear un riesgo de heridas o incendio.
26. **Cuando no se esté usando el cartucho de la batería, manténgalo alejado de otros objetos metálicos, como sujetapapeles (clips), monedas, llaves, clavos, tornillos u otros objetos pequeños de metal los cuales pueden actuar creando una conexión entre las terminales de la batería.** Cerrar el circuito de las terminales de la batería puede causar quemaduras o incendios.
27. **En condiciones abusivas, podrá escapar líquido de la batería; evite tocarlo. Si lo toca accidentalmente, enjuague con agua. Si hay contacto del líquido con los ojos, acuda por ayuda médica.** Puede que el líquido expulsado de la batería cause irritación o quemaduras.

Servicio de mantenimiento

28. **Haga que una persona calificada repare la herramienta utilizando sólo piezas de repuesto idénticas.** Esto asegura que se mantenga la seguridad de la herramienta eléctrica.
29. **Siga las instrucciones para la lubricación y cambio de accesorios.**
30. **Mantenga las agarraderas secas, limpias y sin aceite o grasa.**

ADVERTENCIAS DE SEGURIDAD DEL ATORNILLADOR INALÁMBRICO

1. **Sujete la herramienta eléctrica por las superficies de agarre aisladas al realizar una operación en la que el porta útil pueda entrar en contacto con cables ocultos.** Si el porta útil entra en contacto con un cable con corriente, las piezas metálicas expuestas de la herramienta eléctrica se cargarán también de corriente y el operario puede recibir una descarga.
2. **Asegúrese siempre de que pisa sobre suelo firme. Asegúrese de que no haya nadie debajo cuando utilice la herramienta en lugares altos.**
3. **Sostenga la herramienta con firmeza.**
4. **Mantenga las manos alejadas de las piezas giratorias.**

- No toque la broca o la pieza de trabajo inmediatamente después de utilizarla; podrían estar muy calientes y producirle quemaduras de piel.

GUARDE ESTAS INSTRUCCIONES.

⚠ADVERTENCIA: NO DEJE que la comodidad o familiaridad con el producto (a base de utilizarlo repetidamente) sustituya la estricta observancia de las normas de seguridad para dicho producto. El MAL USO o el no seguir las normas de seguridad establecidas en este manual de instrucciones puede ocasionar graves lesiones personales.

Símbolos

A continuación se muestran los símbolos utilizados para la herramienta.

| | |
|--------------------|---|
| V | volts o voltios |
| — — — | corriente directa o continua |
| n_0 | velocidad en vacío o sin carga |
| ... /min r /min | revoluciones o alternaciones por minuto, frecuencia de rotación |

Instrucciones importantes de seguridad para el cartucho de batería

- Antes de utilizar el cartucho de batería, lea todas las instrucciones e indicaciones de precaución en el (1) el cargador de batería, (2) la batería, y (3) el producto con el que se utiliza la batería.
- No desarme el cartucho de batería.
- Si el tiempo de operación se ha acortado en exceso, deje de operar de inmediato. Podría correrse el riesgo de sobrecalentamiento, posibles quemaduras e incluso explosión.
- En caso de que ingresen electrolitos en sus ojos, enjuáguelos bien con agua limpia y consulte de inmediato a un médico. Esto podría ocasionar pérdida de visión.
- Evite cortocircuitar el cartucho de batería:
 - No toque las terminales con ningún material conductor.
 - Evite guardar el cartucho de batería en un cajón junto con otros objetos metálicos, tales como clavos, monedas, etc.
 - No exponga el cartucho de batería al agua o la lluvia.

Un cortocircuito en la batería puede causar un flujo grande de corriente, sobrecalentamiento, posibles quemaduras e incluso una descompostura.

- No guarde la herramienta ni el cartucho de batería en lugares donde la temperatura pueda alcanzar o exceder los 50°C (122°F).
- Nunca incinere el cartucho de batería incluso en el caso de que esté dañado seriamente o ya no sirva en absoluto. El cartucho de batería puede explotar si se tira al fuego.
- Tenga cuidado de no dejar caer ni golpear la batería.
- No use una batería dañada.
- Las baterías de ión de litio están sujetas a los requisitos reglamentarios en materia de bienes peligrosos.

Para el transporte comercial, por ej., mediante terceros o agentes de transporte, se deben tomar en cuenta los requisitos especiales relativos al empaque y el etiquetado.

Para efectuar los preparativos del artículo que se va a enviar, se requiere consultar a un experto en materiales peligrosos. Si es posible, consulte además otras regulaciones nacionales más detalladas.

Pegue o cubra con cinta adhesiva los contactos abiertos y empaque la batería de manera que ésta no pueda moverse dentro del paquete.
- Siga las regulaciones locales relacionadas al desecho de las baterías.

GUARDE ESTAS INSTRUCCIONES.

⚠PRECAUCIÓN: Utilice únicamente baterías originales de Makita. El uso de baterías no originales de Makita, o de baterías alteradas, puede ocasionar que las baterías exploten causando un incendio, lesiones personales y daños. Asimismo, esto invalidará la garantía de Makita para la herramienta y el cargador Makita.

Consejos para alargar al máximo la vida útil de la batería

- Cargue el cartucho de batería antes de que se descargue completamente. Pare siempre la operación y cargue el cartucho de batería cuando note menos potencia en la herramienta.
- No cargue nunca un cartucho de batería que esté completamente cargado. La sobrecarga acortará la vida de servicio de la batería.
- Cargue el cartucho de batería a una temperatura ambiente de 10 °C - 40 °C (50 °F - 104 °F). Si un cartucho de batería está caliente, déjelo enfriar antes de cargarlo.
- Cargue el cartucho de batería si no va a utilizarlo durante un período prolongado (más de seis meses).

Avisos de la Comisión Federal de Comunicaciones (FCC por sus siglas en inglés)

(Sólo para EE.UU.)

Este dispositivo cumple con la sección 15 de las regulaciones de la FCC. La operación queda sujeta a las siguientes dos condiciones:

- (1) Este dispositivo no causará interferencia dañina, y
- (2) Este dispositivo deberá aceptar cualquier interferencia recibida, incluyendo la interferencia que pueda causar un funcionamiento indeseable.

PRECAUCIÓN: El cambio o modificación que no haya sido expresamente autorizado por la entidad responsable por el cumplimiento de las regulaciones podría anular la autoridad del usuario de utilizar este equipo.

PRECAUCIÓN: Para cumplir con las normas de exposición a la radiación por radiofrecuencia de la FCC respecto a la exposición no controlada, este dispositivo y su antena no deben colocarse ni operarse en conjunto con ninguna antena o transmisor adicionales.

NOTA: Este equipo ha sido probado y demuestra que cumple con los límites de un dispositivo digital de Clase A, en conformidad con la sección 15 de las regulaciones de la FCC.

Estos límites están diseñados para ofrecer protección razonable contra interferencia dañina cuando el equipo sea operado en un ambiente comercial. Este equipo genera, utiliza y puede irradiar energía de radiofrecuencia y, de no instalarse y usarse de acuerdo al manual de instrucciones, puede que cause interferencia dañina para las radiocomunicaciones. La operación de este equipo en un área residencial es propensa a causar interferencia dañina en la que se requeriría al usuario corregir la interferencia bajo su propia cuenta.

(Sólo para Canadá)

Avisos de la IC

PRECAUCIÓN: La operación queda sujeta a las siguientes dos condiciones:

- (1) Este dispositivo no causará interferencia, y
- (2) Este dispositivo deberá aceptar cualquier interferencia recibida, incluyendo la interferencia que pueda causar un funcionamiento indeseable de este dispositivo.

PRECAUCIÓN: El instalador de este equipo de radio debe asegurar que la antena se coloca o apunta de tal forma que no emita un campo de radiofrecuencia que excede los límites de Health Canada para la población en general; consulte el Código de Seguridad 6, obtenible del sitio Web de Health Canada www.hc-sc.gc.ca/rpb

DESCRIPCIÓN DEL FUNCIONAMIENTO

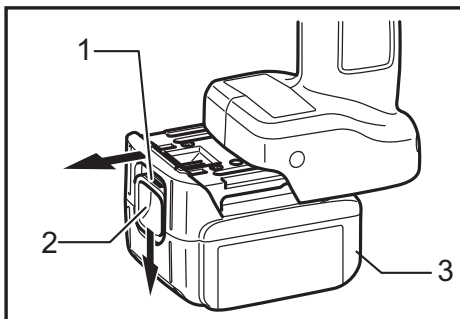
PRECAUCIÓN:

- Asegúrese siempre de que la herramienta esté apagada y el cartucho de batería extraído antes de realizar cualquier ajuste o comprobación en la herramienta.

Instalación o extracción del cartucho de batería

PRECAUCIÓN: Apague siempre la herramienta antes de colocar o quitar el cartucho de batería.

PRECAUCIÓN: Sujete la herramienta y el cartucho de la batería con firmeza al colocar o quitar el cartucho de batería. Si no se sujeta con firmeza la herramienta y el cartucho de batería, puede ocasionar que se resbalen de sus manos causando daños a la herramienta y al cartucho de batería, así como lesiones a la persona.



► 1. Indicador rojo 2. Botón 3. Cartucho de batería

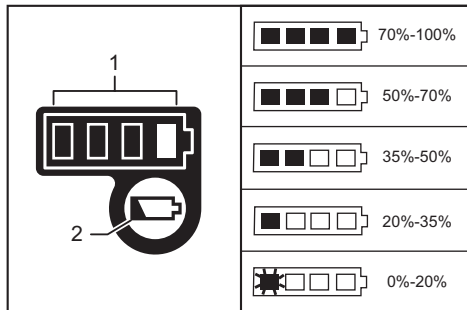
Para quitar el cartucho de batería, deslícelo de la herramienta mientras desliza el botón sobre la parte delantera del cartucho.

Para colocar el cartucho de batería, alinee la lengüeta sobre el cartucho de batería con la ranura en la carcasa y deslice en su lugar. Inserte por completo hasta que se fije en su lugar con un pequeño clic. Si puede ver el indicador rojo del lado superior del botón, esto indica que no ha quedado fijo por completo.

PRECAUCIÓN: Introduzca siempre completamente el cartucho de batería hasta que el indicador rojo no pueda verse. Si no, podría accidentalmente salirse de la herramienta y caer al suelo causando una lesión a usted o alguien a su alrededor.

PRECAUCIÓN: No instale el cartucho de batería a la fuerza. Si el cartucho no se desliza al interior fácilmente, se debe a que no está siendo insertado correctamente.

Verificación de la capacidad de carga restante de la batería. (BL1460A)



► 1. Luces indicadoras 2. Botón de verificación

NOTA: Dependiendo de las condiciones de uso y la temperatura ambiente, la indicación podrá diferir ligeramente de la capacidad real.

Durante la carga

Cuando se inicia la carga, la primera luz indicadora (la última de la izquierda) comienza a destellar. Luego, a medida que la carga avanza, las otras luces se van encendiendo de a una indicando que se va completando la capacidad de carga.

NOTA: Si la luz indicadora no se enciende ni parpadea durante la carga, la batería podría estar defectuosa. En este caso, consulte al centro de servicio de su localidad.

Durante el uso

Cuando la herramienta se encienda, las luces se iluminarán para indicar la capacidad restante de la batería. Cuando la herramienta se apague, la luz se apagará aproximadamente 5 segundos después.

Al oprimir el botón de verificación con la herramienta apagada, las luces indicadoras se encenderán durante aproximadamente 5 segundos para mostrar la capacidad de la batería.

Cuando la luz naranja parpadee, la herramienta se detendrá debido a la poca capacidad restante de la batería (mecanismo de parada automática). En este momento, cargue el cartucho de batería o utilice un cartucho de batería cargado.

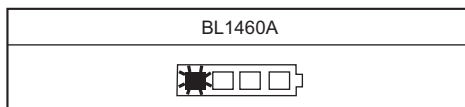
Si la herramienta se usa con una batería que no haya sido utilizada durante un tiempo prolongado, podría ser que ninguna de las luces se iluminara al momento de encenderla. En este momento, la herramienta se detendrá debido a la poca capacidad restante de la batería. Cargue la batería correctamente.

Sistema de protección de la batería (BL1460A)

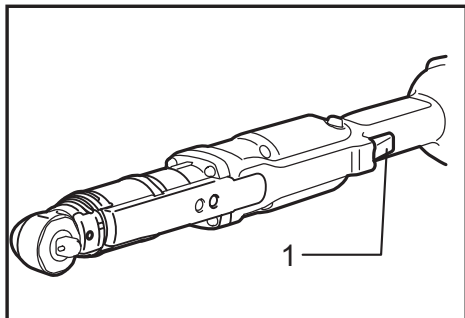
La herramienta está equipada con un sistema de protección de la batería. Este sistema corta en forma automática el suministro de energía al motor para prolongar la vida útil de la batería.

La herramienta se detendrá automáticamente durante el funcionamiento si la herramienta y/o la batería se someten a las siguientes condiciones:

- **Sobrecarga:**
La herramienta se está utilizando de una manera que causa que consuma una cantidad de corriente inusualmente alta. En este caso, libere el gatillo interruptor en la herramienta y detenga la aplicación que causó que la herramienta se sobrecargara. Luego, vuelva a jalar el gatillo interruptor para reanudar el funcionamiento. Si la herramienta no empieza a funcionar, significa que la batería se sobrecalentó. En este caso, espere que la batería se enfríe antes de volver a jalar el gatillo interruptor.
- **Bajo voltaje de la batería:**
Cuando la capacidad de la batería no sea suficiente, la herramienta se detendrá automáticamente y el indicador de batería mostrará el siguiente estado. En este caso, retire la batería de la herramienta y cárguela.



Accionamiento del interruptor



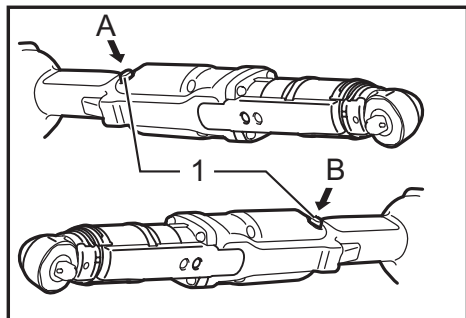
► 1. Gatillo interruptor

PRECAUCIÓN:

- Antes de insertar el cartucho de batería en la herramienta, compruebe siempre y cerciórese de que el gatillo interruptor se acciona debidamente y que vuelve a la posición "OFF" (apagado) cuando lo suelta.

Para comenzar a utilizar la herramienta, simplemente presione el gatillo interruptor. Suéltelo para detenerla.

Accionamiento del conmutador de inversión de giro



► 1. Palanca del conmutador de inversión de giro

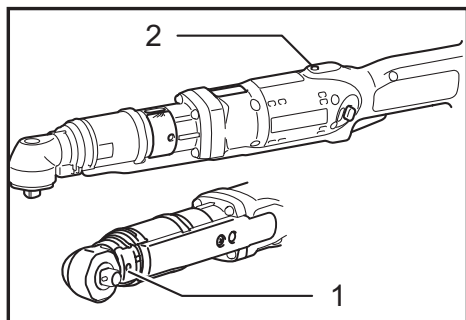
PRECAUCIÓN:

- Confirme siempre la dirección de giro antes de la operación.
- Utilice el conmutador de inversión solamente después de que la herramienta haya parado completamente. Si cambia la dirección de giro antes de que la herramienta haya parado podrá dañarla.
- Cuando no esté utilizando la herramienta, ponga siempre la palanca del conmutador de inversión en la posición neutral.

Esta herramienta tiene un conmutador de inversión para cambiar la dirección de giro. Presione hacia dentro la palanca del conmutador de inversión del lado A para giro hacia la derecha o del lado B para giro hacia la izquierda.

Cuando la palanca del conmutador de inversión esté en la posición neutral, no se podrá apretar el gatillo interruptor.

Encendido de la lámpara



► 1. Lámpara 2. Luz indicadora LED#A

PRECAUCIÓN:

- No mire a la luz ni vea la fuente de luz directamente.

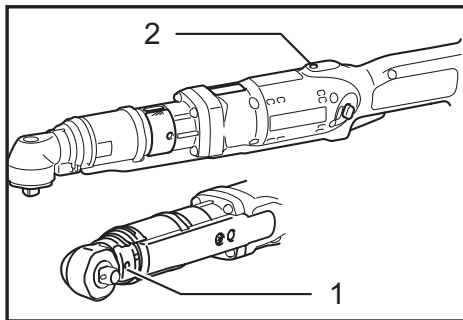
Apretar el gatillo para encender la lámpara. La lámpara se mantiene encendida mientras se esté presionando el gatillo. La lámpara se apagará en forma automática 10 segundos después de soltar el gatillo.

NOTA:

- Utilice un paño seco para quitar la suciedad de la lente de la lámpara. Tenga cuidado de no rayar la lente de la lámpara, porque podrá disminuir la iluminación.

LUZ indicadora / Bíper

Para luz indicadora LED#A



► 1. Lámpara 2. Luz indicadora LED#A

LUZ indicadora / Bíper en la herramienta que indica las siguientes funciones.

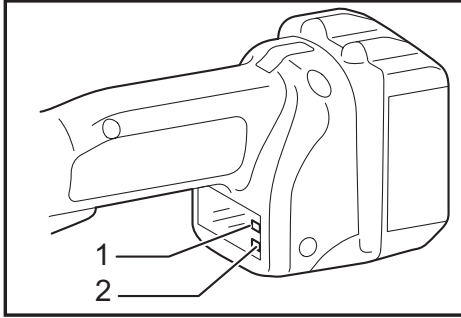
| Estado de la luz indicadora (LED) y del indicador sonoro | | Función | Estado | Acción a tomar |
|---|---------------------------------|--|--|--|
| Luz indicadora (LED) | Indicador sonoro | | | |
| Se ilumina en Verde → Rojo → Azul → Blanco en orden | Una serie de sonidos muy cortos | Compruebe la luz indicadora LED#A, luz indicadora y sonido de alerta (al jalar el gatillo interruptor por vez primera tras colocar un cartucho de batería en la herramienta) | Asegúrese que las luces indicadoras (LED) se iluminan en verde, rojo, azul y blanco, así como el sonido de alerta ("bip") suena como corresponde | _____ |
| Parpadea lentamente en morado. | Una serie de sonidos largos | Alerta de batería descargada | Esta función indica en qué momento es adecuado reemplazar la batería cuando la carga disminuye. | Reemplazar la batería por otra con carga. |
| Se ilumina en morado | Un sonido largo | Verificación de la capacidad de carga restante de la batería, detención automática | Esta función indica que la carga de la batería está prácticamente agotada. La herramienta se detiene automáticamente. | Reemplazar la batería por otra con carga. |
| Se ilumina en rojo y verde en forma alternada | Una serie de sonidos cortos | Controlador antirrestauración | Esta función permite que cuando, por cualquier motivo, haya un descenso anormal del voltaje de la batería la herramienta se detenga. | Reemplazar la batería por otra con carga. |
| | | Falla del motor | Esta función se activa cuando falla el motor. | Lleve a un centro de servicio autorizado Makita. |
| Parpadea rápidamente en rojo. | Una serie de sonidos cortos | Sobrecalentamiento | Esta función se activa cuando la temperatura del controlador o motor sube demasiado; la herramienta se detiene. | Quitar la batería inmediatamente y dejar enfriar la herramienta. |
| Verde (azul cuando se completa el lote en la herramienta en modo independiente) | | Selección de detención automática | Esta función se activa cuando la herramienta ha alcanzado una torsión de fijación dentro del rango preestablecido en la PC y se ha completado el apretamiento normal. (Nota) | _____ |
| Se enciende la luz roja. | Un sonido largo | Resultado del ajuste de torsión: NOK (Alto) | Esta función se activa cuando la herramienta ha alcanzado una torsión de fijación por encima del rango preestablecido en la PC. (Nota) | _____ |

| Estado de la luz indicadora (LED) y del indicador sonoro | | Función | Estado | Acción a tomar |
|--|-----------------------------|--|--|--|
| Luz indicadora (LED) | Indicador sonoro | | | |
| Se ilumina en amarillo. | Un sonido largo | Resultado del ajuste de torsión: NOK (Bajo) | Esta función se activa cuando la herramienta ha alcanzado una torsión de fijación por debajo del rango preestablecido en la PC. (Nota) | _____ |
| Parpadea de forma alternada en rojo y amarillo. | Un sonido largo | Alerta contra un ajuste defectuoso | La fijación queda incompleta cuando el gatillo interruptor de la herramienta se suelta antes de la activación del embrague | _____ |
| | | Detección impacto doble | Esta función se activa cuando un tornillo es vuelto a fijar tras su fijación inicial. | _____ |
| | | Juicio de ángulo NOK | Esta función se activa cuando un tornillo no se fija dentro del rango de ángulo predeterminado en la PC. (Nota) | _____ |
| | | Barrido NOK | Esta función se activa cuando se completa una fijación antes de que se alcance el rango de ángulo predeterminado. (Nota) | _____ |
| | | Monitoreo de torsión imposible | Esta función se activa cuando no se puede llevar a cabo el monitoreo de la torsión. | _____ |
| Parpadea de forma alternada en rojo y azul. | Una serie de sonidos cortos | Desconexión (al usar receptor RCV02) | Radiocomunicación aún sin establecerse | Finalice la conexión necesaria o retire el cartucho de la batería para discontinuar. |
| | | Falla en la radiocomunicación | Esta función se activa cuando hay falla en la radiocomunicación. | Lleve a un centro de servicio autorizado Makita. |

Nota: estos valores pueden modificarse en la PC:
Consulte el MANUAL DE USUARIO DE SRCV02 para más información.

Para luz indicadora LED#B

LUZ indicadora / Bíper en la herramienta que indica las siguientes funciones.



- 1. Luz indicadora LED#B1 2. Luz indicadora LED#B2

| Descripción | Color visualizado | Visualización y estado | | | |
|------------------------|---|------------------------|--------------|--|--|
| Luz indicadora LED#B ① | Verde | 1 | Se enciende | Cuando la herramienta está conectada a un receptor. | |
| | | 2 | Parpadea | Cuando la herramienta está en proceso de ser conectada a un receptor. (Nota 1) | |
| | | 3 | Está apagada | Uno de los estados a continuación | |
| | | | | 3-1 | Cuando el cartucho de la batería se retira de la herramienta. |
| | | | | 3-2 | Cuando la herramienta se deja ociosa por más de 15 minutos con un cartucho de batería instalado. |
| 3-3 | Cuando la herramienta no se encuentra dentro de la distancia de transmisión. (Nota 2) | | | | |
| Luz indicadora LED#B ② | Rojo | 1 | Se enciende | Cuando el número de datos almacenados de la herramienta alcanza su número de datos almacenables. | |
| | | 2 | Parpadea | Cuando el número de datos almacenado de la herramienta es igual o menor a su número de datos almacenables. | |
| | | 3 | Está apagada | Cuando la herramienta no ha almacenado datos para transmitir a un receptor. | |

Nota 1: consulte el manual de instrucciones de un receptor RCV02 (accesorio) al conectarse.

Nota 2: distancia de comunicación: 10 m o menos (varía hasta 10 metros según el ambiente de operación)

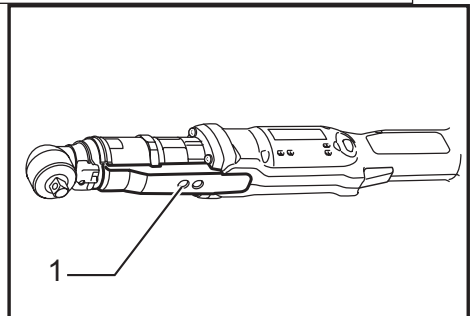
⚠PRECAUCIÓN:

- Asegúrese que la luz indicadora LED#B2 no se ilumine antes de retirar un cartucho de batería de la herramienta. Si se retira el cartucho antes de que la luz indicadora LED#B2 se ilumine o parpadee, los datos almacenados de la herramienta se borrarán.

Ajuste de la torsión de apriete

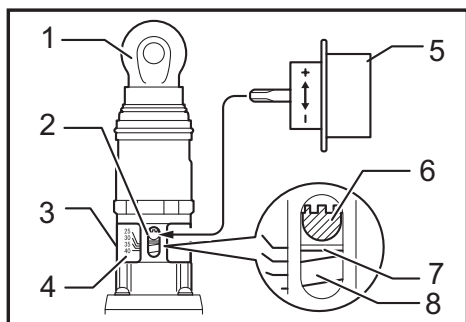
Cuando desea ajustar tornillos de metal, de madera, tuercas, etc. con un torque predeterminado, seleccione el torque de la siguiente manera.

- Primero quite la batería de la herramienta.
- Afloje y retire el tornillo que fija el anillo (sólo para DFL201R, afloje los dos tornillos que fijan el anillo).



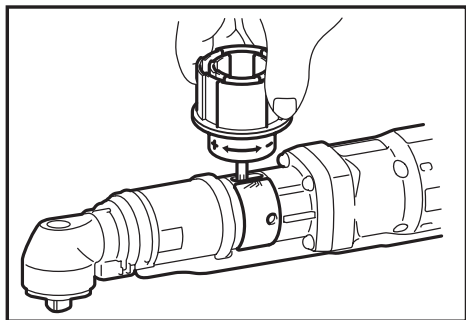
- 1. Tornillo

- Gire el anillo del frente de la herramienta a mano para que se abra el agujero debajo de éste.
- Coloque la batería en su lugar y apriete el gatillo. Suéltelo para que el anillo de ajuste rote y se vea desde el agujero. Luego quite la batería.



► 1. Cabeza angular 2. Orificio para llave de ajuste 3. Anillo 4. Escala 5. Llave de ajuste 6. Orificio para llave de ajuste 7. Línea amarilla 8. Resorte de compresión

5. Utilice una llave de ajuste opcional para ajustar el selector de torque. Inserte la punta de la llave de ajuste en el agujero del frente de la herramienta. Y luego gire la llave en sentido horario para seleccionar un torque mayor, en sentido contrario para desajustar el torque.



6. Alinee el borde del anillo ajustador con su medida deseada en la escala de ajuste de torsión.
7. Inserte la batería y asegúrese de que se ha seleccionado el torque indicado mediante un medidor de torque.
8. Gire el anillo de manera que el agujero para la llave de ajuste quede tapado, sosténgalo y luego asegúrelo con el tornillo.

NOTA:

- Los números que se encuentran en la escala de ajuste de torque son una guía que le servirá para seleccionar el torque deseado.

ENSAMBLE

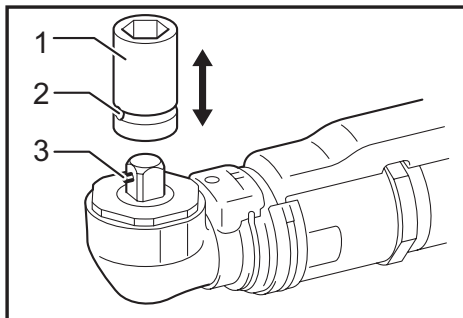
⚠PRECAUCIÓN:

- Asegúrese siempre de que la herramienta esté apagada y el cartucho de batería extraído antes de realizar cualquier trabajo en la misma.

Selección del dado correcto

Existen distintos tipos de dado de apriete para algunos modelos dependiendo de las aplicaciones. Escoja e instale el dado de apriete correcto para su aplicación.

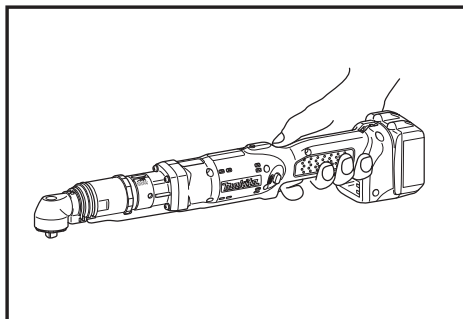
Instalación o extracción del dado



► 1. Dado 2. Orificio 3. Perno

Para instalar el dado o cubo de apriete, empújelo hacia dentro de la unidad cuadrada de la herramienta con una mano haciendo presión en la clavija en la unidad cuadrada con la otra mano hasta que se encaje en su lugar. Para quitar el dado o cubo de apriete, simplemente jálalo al presionar la clavija en la unidad cuadrada.

OPERACIÓN



Sujete la herramienta firmemente y coloque el dado de apriete sobre el perno o tuerca. Luego encienda la herramienta. Cuando el embrague se inserte, el motor se detendrá automáticamente. Luego suelte el gatillo interruptor.

NOTA:

- Sostenga la herramienta con el eje de apriete apuntando directamente hacia el perno o la tuerca o, de lo contrario, éstas podrán dañarse.

Límite de la capacidad de ajuste

Use la herramienta dentro del rango del ángulo de revolución de hasta 360°. La herramienta no puede proporcionar una torsión de fijación lo suficientemente fuerte (la luz indicadora LED #A parpadea lentamente en morado o se ilumina en morado).

NOTA:

- El ángulo de revolución se refiere al ángulo en el cual gira el tornillo/tuerca cuando la herramienta alcanza el 100% del 50% del torque deseado.
- El uso de un cartucho de batería apto para baja temperatura puede que a veces dé la advertencia para la capacidad del cartucho de batería al activar la luz y sonido de advertencia lo cual hace detener la herramienta de inmediato. En este caso, la capacidad de torsión puede que sea inferior a la especificada en este manual, incluso si se utiliza un cartucho de batería recargado.

MANTENIMIENTO

⚠PRECAUCIÓN:

- Asegúrese siempre de que la herramienta esté apagada y el cartucho de batería extraído antes de intentar realizar una inspección o mantenimiento.
- Nunca use gasolina, bencina, diluyente (tíner), alcohol o sustancias similares. Puede que esto ocasiona grietas o descoloramiento.

Para mantener la SEGURIDAD y FIABILIDAD del producto, las reparaciones, y cualquier otra tarea de mantenimiento o ajuste deberán ser realizadas en Centros de Servicio Autorizados por Makita, empleando siempre repuestos Makita.

ACCESORIOS OPCIONALES

⚠PRECAUCIÓN:

- Estos accesorios o aditamentos (incluidos o no) están recomendados para utilizar con su herramienta Makita especificada en este manual. El empleo de cualesquiera otros accesorios o acoplamientos conllevará un riesgo de sufrir heridas personales. Utilice los accesorios o acoplamientos solamente para su fin establecido.

Si necesita cualquier ayuda para más detalles en relación con estos accesorios, pregunte a su centro de servicio Makita local.

- Protector (Amarillo, Azul, Rojo, Transparente)
- Batería y cargador originales de Makita
- Llave de ajuste
- Eje completo 12,7

- Receptor RCV02
- Disco de instalación de software (CD-ROM)
- Adaptador USB-serial
- Cable RS-232C

NOTA:

- Algunos de los artículos en la lista puede que vengan junto con el paquete de la herramienta como accesorios incluidos. Puede que estos accesorios varíen de país a país.

GARANTÍA LIMITADA DE UN AÑO DE MAKITA

Ésta Garantía no aplica para México Política de garantía

Cada herramienta Makita es inspeccionada y probada exhaustivamente antes de salir de la fábrica. Se garantiza que está libre de defectos de mano de obra y materiales por el período de UN AÑO a partir de la fecha original de compra. Si durante este período de un año se desarrollara algún problema, devuelva la herramienta COMPLETA, con el envío prepago, a un centro de servicio autorizado o de fábrica Makita. Si la inspección muestra que el problema ha sido a causa de un defecto de mano de obra o material, Makita hará la reparación (o a su discreción, el reemplazo) sin ningún cargo.

Esta garantía no aplica cuando:

- las reparaciones se hayan hecho o intentado hacer por otros;
- se requieran reparaciones debido al desgaste normal;
- la herramienta haya sido maltratada, recibido un mal uso o haya recibido un mantenimiento inapropiado;
- se hayan hecho modificaciones a la herramienta.

EN NINGÚN CASO MAKITA SE HARÁ RESPONSABLE DE NINGÚN DAÑO INDIRECTO, INCIDENTAL, O DERIVADO DE LA VENTA O USO DEL PRODUCTO. ESTE DESCARGO DE RESPONSABILIDAD APLICA DURANTE Y DESPUÉS DEL PLAZO DE ESTA GARANTÍA. MAKITA RENUNCIA A LA RESPONSABILIDAD POR CUALQUIER GARANTÍA IMPLÍCITA, INCLUYENDO GARANTÍAS DE "COMERCIALIZACIÓN" Y "ADECUACIÓN PARA UN PROPÓSITO ESPECÍFICO", DESPUÉS DEL PLAZO DE UN AÑO DE ESTA GARANTÍA.

Esta garantía le concede derechos legales específicos y usted podrá tener también otros derechos que varían de un estado a otro. Algunos estados no permiten la exclusión o limitación de daños incidentales o consecuentes, por lo que la limitación o exclusión arriba mencionada podría no aplicar para usted. Algunos estados no permiten la limitación sobre la duración de una garantía implícita, por lo que la limitación arriba mencionada podría no aplicar para usted.

< USA only >

WARNING

Some dust created by power sanding, sawing, grinding, drilling, and other construction activities contains chemicals known to the State of California to cause cancer, birth defects or other reproductive harm. Some examples of these chemicals are:

- lead from lead-based paints,
- crystalline silica from bricks and cement and other masonry products, and
- arsenic and chromium from chemically-treated lumber.

Your risk from these exposures varies, depending on how often you do this type of work. To reduce your exposure to these chemicals: work in a well ventilated area, and work with approved safety equipment, such as those dust masks that are specially designed to filter out microscopic particles.

< Sólo en los Estados Unidos >

ADVERTENCIA

Algunos polvos creados por el lijado, aserrado, esmerilado, taladrado y otras actividades de la construcción contienen sustancias químicas reconocidas por el Estado de California como causantes de cáncer, defectos de nacimiento y otros peligros de reproducción. Algunos ejemplos de estos productos químicos son:

- plomo de pinturas a base de plomo,
- sílice cristalino de ladrillos y cemento y otros productos de albañilería, y
- arsénico y cromo de maderas tratadas químicamente.

El riesgo al que se expone varía, dependiendo de la frecuencia con la que realice este tipo de trabajo. Para reducir la exposición a estos productos químicos: trabaje en un área bien ventilada y póngase el equipo de seguridad indicado, tal como las máscaras contra polvo que están especialmente diseñadas para filtrar partículas microscópicas.

Makita Corporation

3-11-8, Sumiyoshi-cho,
Anjo, Aichi 446-8502 Japan

www.makita.com

885353A943
DFL402R-1
EN, FRCA, ESMX
20160929